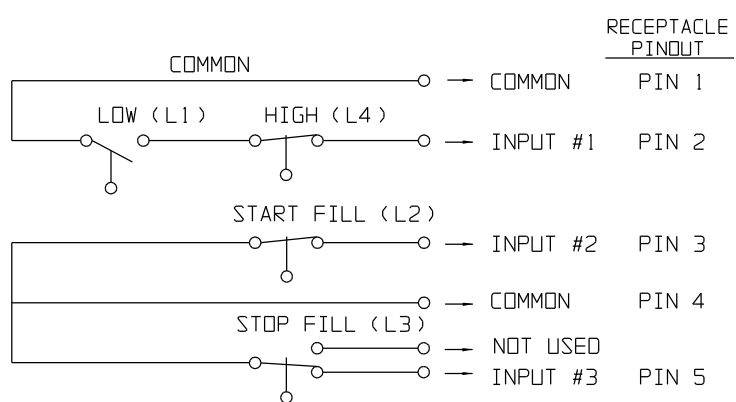
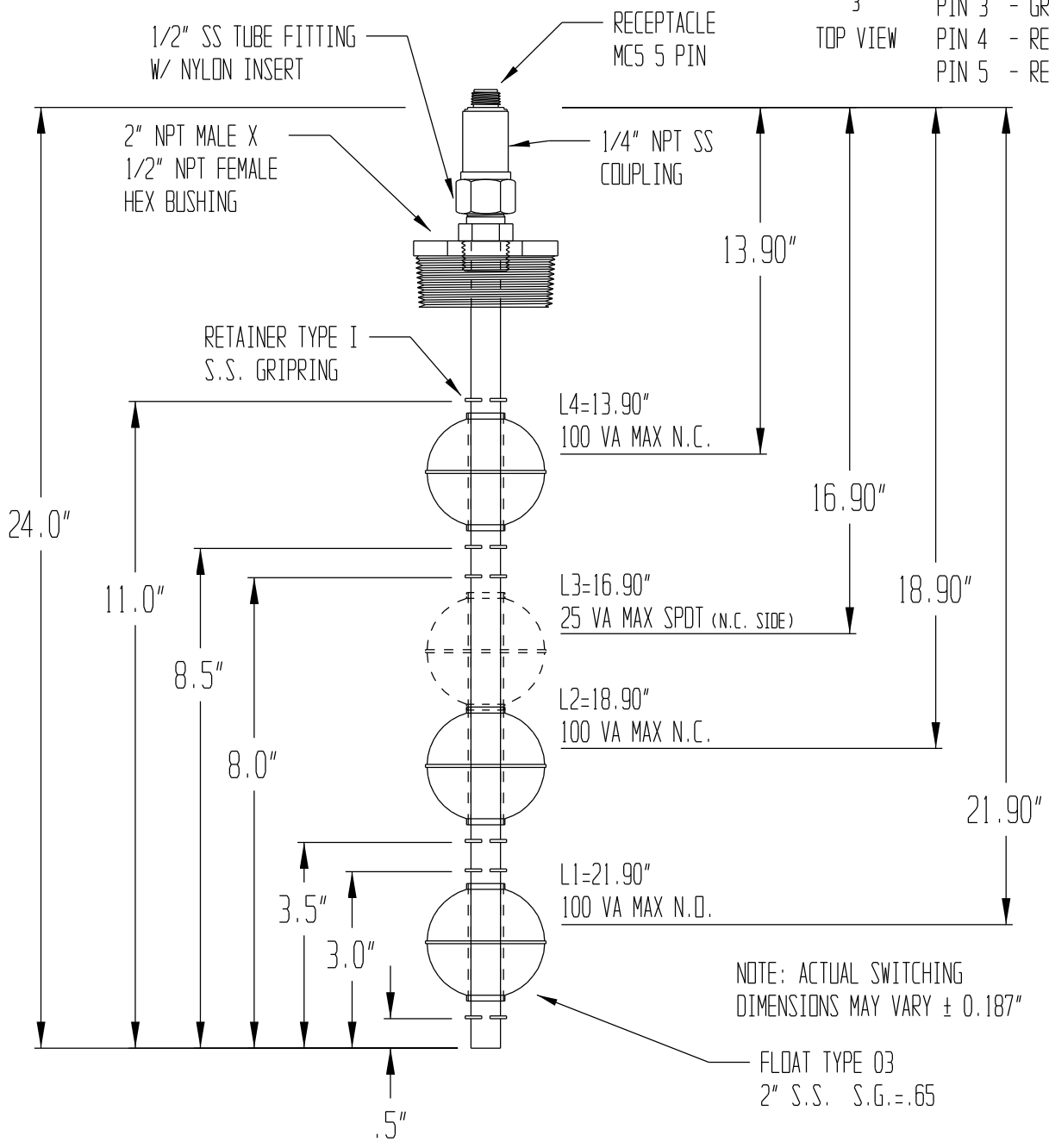
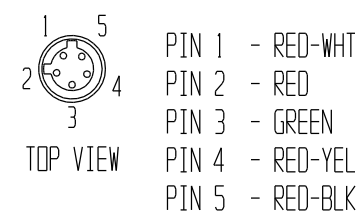


SERIES 2000 STAINLESS



SIGNATURE OF APPROVAL \_\_\_\_\_ DATE \_\_\_\_\_

PRINT: \_\_\_\_\_

SIGN: \_\_\_\_\_

**INNOVATIVE COMPONENTS**  
384 OLD TURNPIKE ROAD, P.O. BOX 294  
SOUTHINGTON, CT. 06489

TITLE: **STAINLESS STEEL MULTILEVEL**

MODEL: **21-G-0314-R** DRAWN BY: F.J.K

STOCK: **91505** DATE: 07/13/1995

SCALE: NONE SHEET: 1 OF 1

FILENAME: C:\CADKEY7\PR2\21G-0314\91505 REV: \_\_\_\_\_