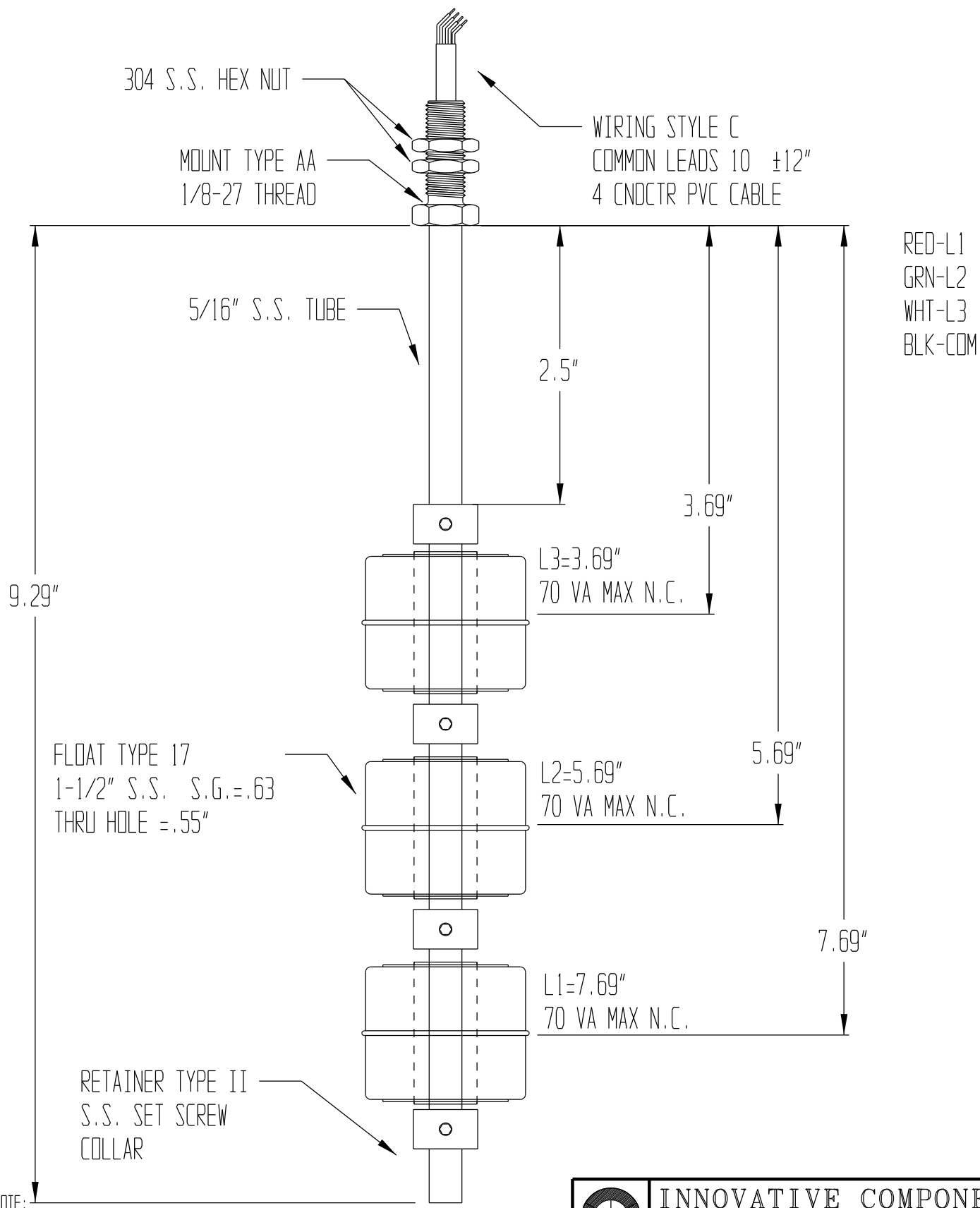


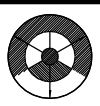
SERIES 1000 STAINLESS



PLEASE NOTE:

THIS DRAWING AND SPECIFICATION IS THE PROPERTY OF INNOVATIVE COMPONENTS, INC. AND IS TO BE USED SOLELY AS A TECHNICAL REFERENCE BY INNOVATIVE COMPONENTS' CUSTOMERS. ANY REPRODUCTION OR DISTRIBUTION WITHOUT WRITTEN PERMISSION IS PROHIBITED.

SIGNATURE OF APPROVAL _____ DATE _____
 PRINT: _____
 SIGN: _____



INNOVATIVE COMPONENTS
 384 OLD TURNPIKE ROAD, P.O. BOX 294
 SOUTHLINGTON, CT. 06489

TITLE: **STAINLESS STEEL MULTILEVEL**

MODEL: **11-AA-0723** DRAWN BY: F.J.K

STOCK: **91671** DATE: 3/5/96

FILENAME: C:\CK7\PR\11AA0723\91671C SHEET: 1 OF 1
 SCALE: NONE REV: _____

STANDARD TOLERANCES
 .000 = ± .010
 .00 = ± .050
 .0 = ± .100
 0 = ± .200
 ANGLES ± 5°
 TEMP ± 5°C