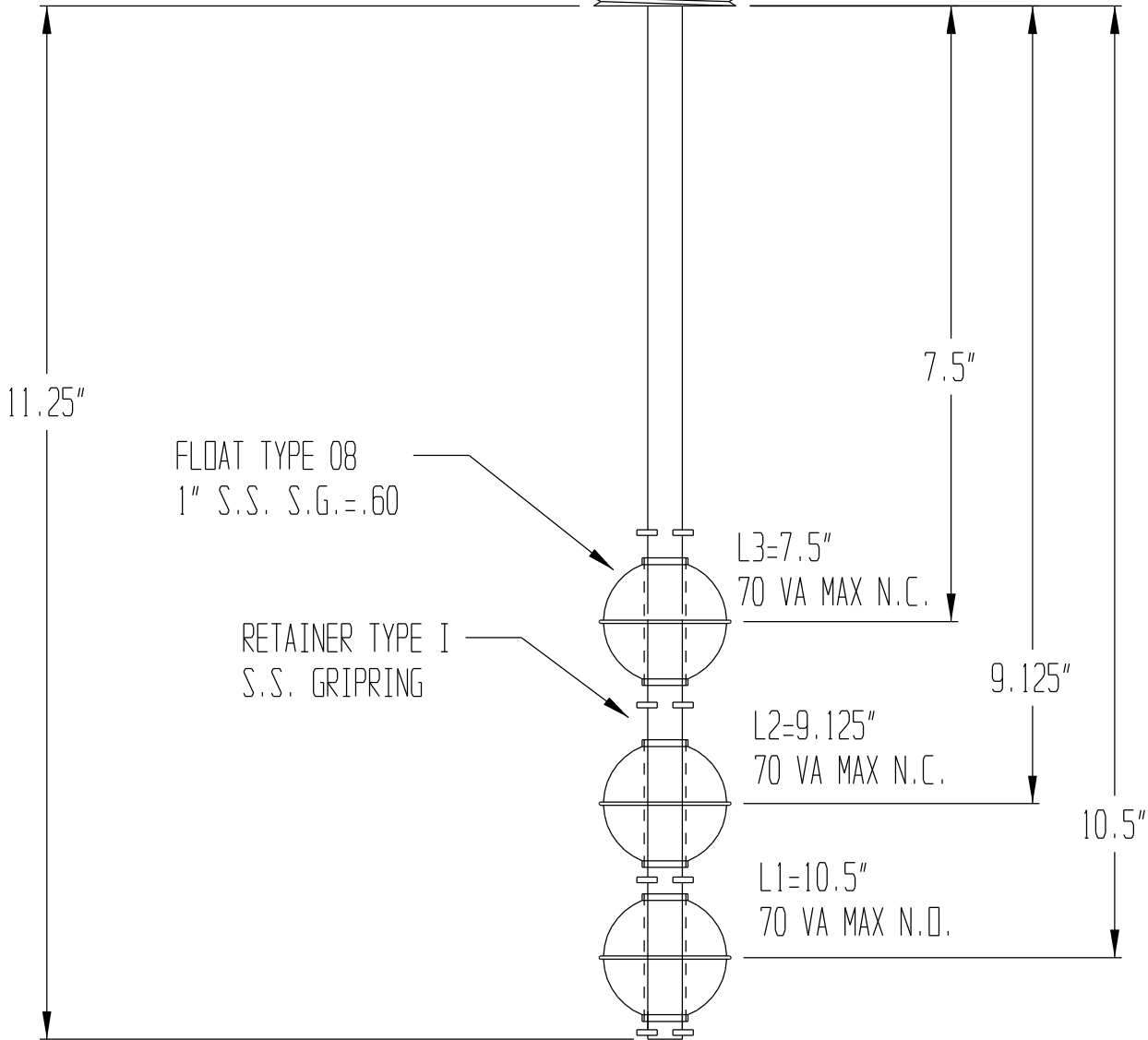


SERIES 1000 STAINLESS STEEL

WIRING STYLE S
SEPERATE LEADS 24" STD
TEFLON

MOUNTING TYPE H
1" NPT W/ 1/2"
CONDUIT ADAPTER

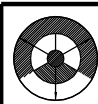
RED-L1
YEL-L2
BLU-L3



PLEASE NOTE:

THIS DRAWING AND SPECIFICATION IS THE PROPERTY OF INNOVATIVE COMPONENTS, LLC. AND IS TO BE USED SOLEY AS A TECHNICAL REFERENCE BY INNOVATIVE COMPONENTS' CUSTOMERS. ANY REPRODUCTION OR DISTRIBUTION TO THE CONTRARY IS PROHIBITED.

SIGNATURE OF APPROVAL _____ DATE _____
PRINT: _____
SIGN: _____



INNOVATIVE COMPONENTS

384 OLD TURNPIKE ROAD, P.O. BOX 294
SOUTHINGTON, CT. 06489

STANDARD TOLERANCES .000 = ± .010 .00 = ± .050 .0 = ± .100 0 = ± .200 ANGLES ± 5° TEMP ± 5°C		TITLE: SERIES 1000 STAINLESS	
MODEL: 11-H-0813		DRAWN BY: F. J. K	
STOCK: 92487		DATE: 06/04/99	
FILENAME: C:\CK7\PRN\CLUST		SHEET: 1 OF 1	
REV: _____		SCALE: NONE	