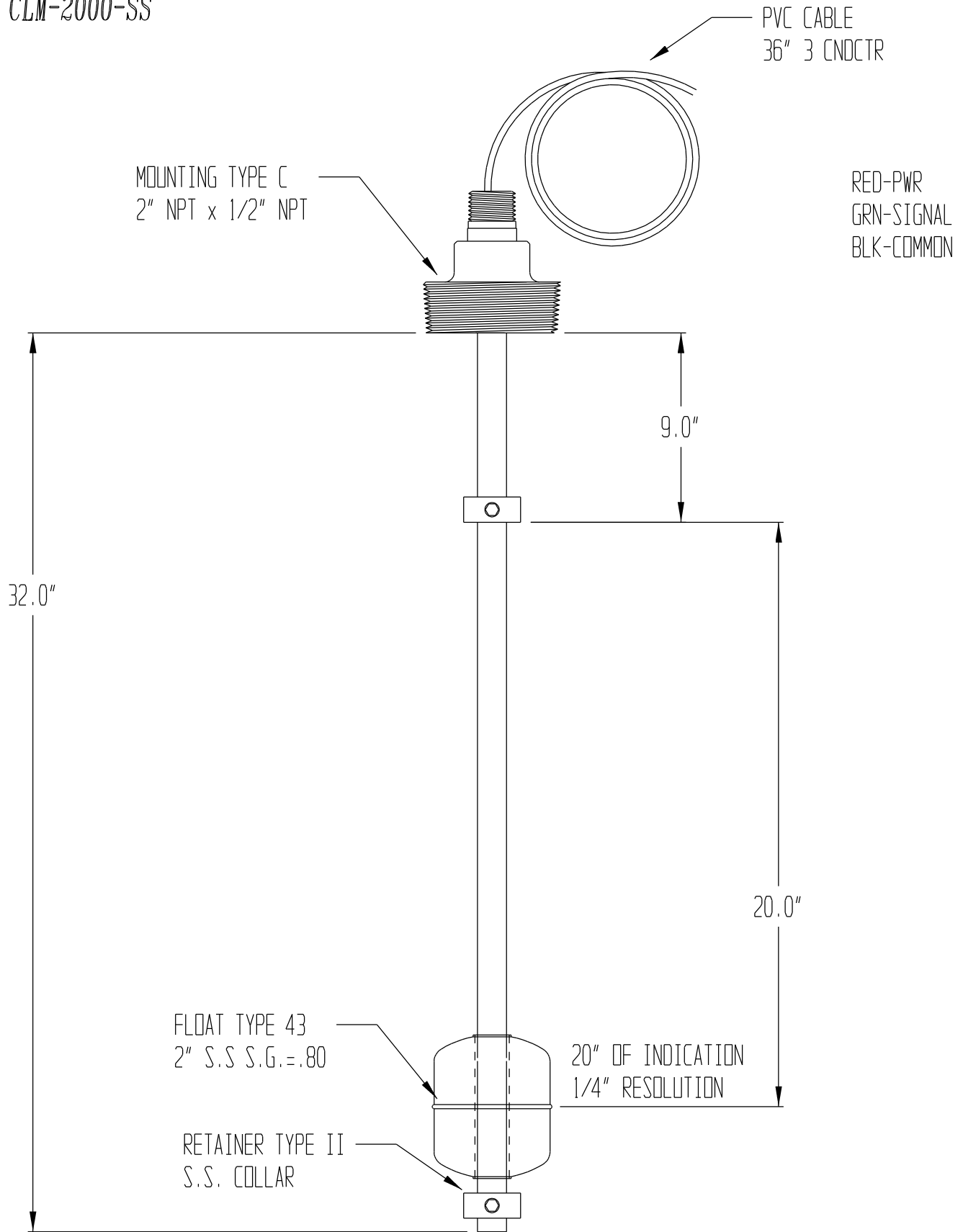


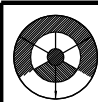
SERIES CLM-2000-SS



PLEASE NOTE:

THIS DRAWING AND SPECIFICATION IS THE PROPERTY OF INNOVATIVE COMPONENTS, LLC. AND IS TO BE USED SOLELY AS A TECHNICAL REFERENCE BY INNOVATIVE COMPONENTS' CUSTOMERS. ANY REPRODUCTION OR DISTRIBUTION TO THE CONTRARY IS PROHIBITED.

SIGNATURE OF APPROVAL	DATE
PRINT: _____	_____
SIGN: _____	_____



INNOVATIVE COMPONENTS

384 OLD TURNPIKE ROAD, P.O. BOX 294
SOUTHINGTON, CT. 06489

TITLE: STAINLESS STEEL CONTINUOUS	
MODEL: CLM-2020-SS	DRAWN BY: F. J. K
STOCK: 92200	DATE: 9/07/99
FILENAME: C:\CK7\prt\CLM-2000\92200	SHEET: 1 OF 1
REV:	SCALE: NONE

STANDARD TOLERANCES
.000 = ± .010
.00 = ± .050
.0 = ± .100
0 = ± .200
ANGLES ± 5°
TEMP ±5°C