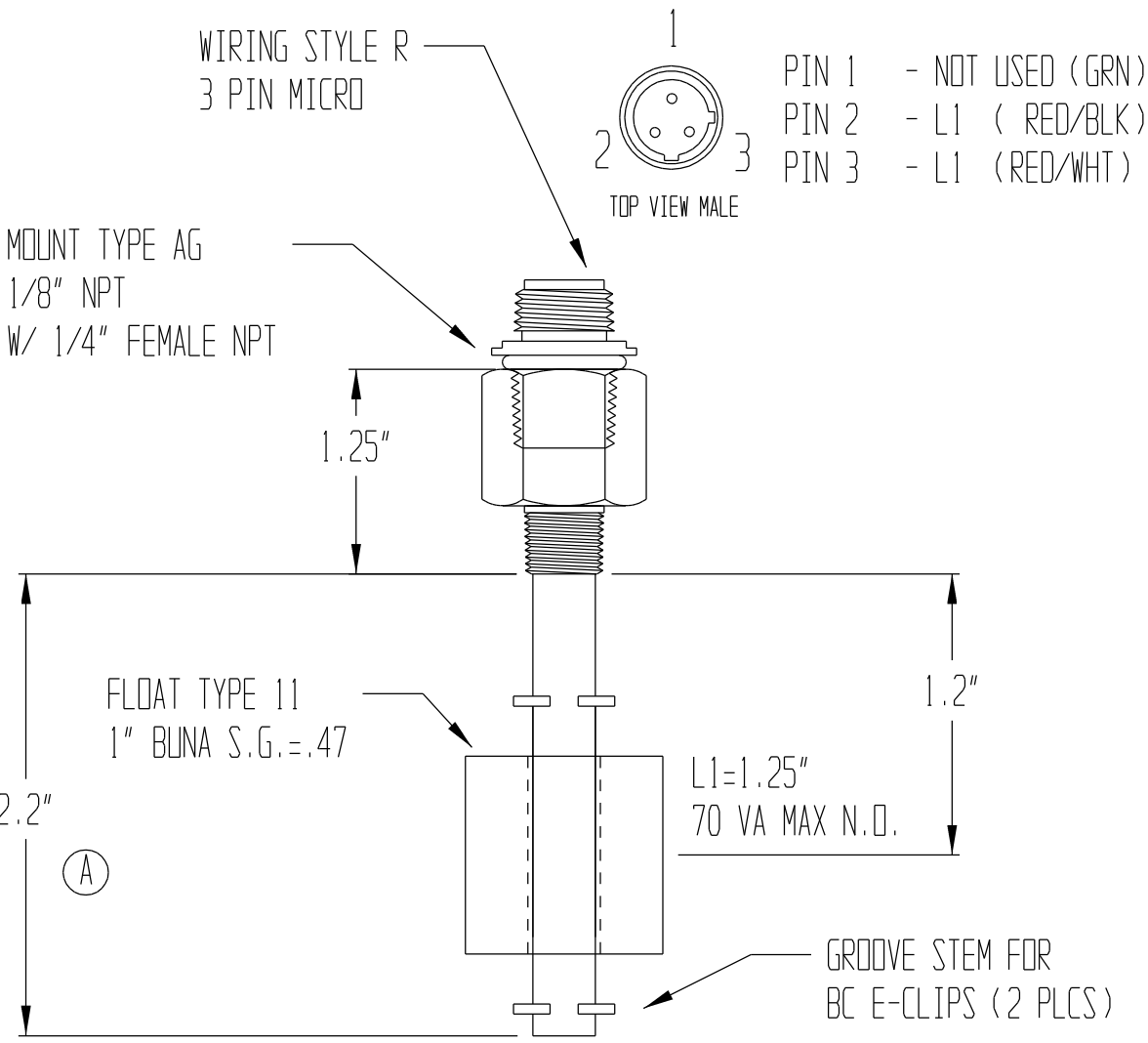
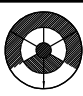


# SERIES 1000 BRASS & BUNA



PLEASE NOTE:  
THIS DRAWING AND SPECIFICATION IS THE PROPERTY OF INNOVATIVE COMPONENTS, LLC. AND IS TO BE USED SOLELY AS A TECHNICAL REFERENCE BY INNOVATIVE COMPONENTS' CUSTOMERS. ANY REPRODUCTION OR DISTRIBUTION TO THE CONTRARY IS PROHIBITED.

SIGNATURE OF APPROVAL \_\_\_\_\_ DATE \_\_\_\_\_  
PRINT: \_\_\_\_\_  
SIGN: \_\_\_\_\_

	<b>INNOVATIVE COMPONENTS</b> 384 OLD TURNPIKE ROAD, P.O. BOX 294 SOUTHLINGTON, CT. 06489	
	TITLE: <b>BRASS &amp; BUNA LEVEL SENSOR</b>	
MODEL: <b>12-AG-1111</b>	DRAWN BY: F.J.K. DATE: 02/08/00	
STOCK: <b>92264</b>	SHEET: 1 OF 1 SCALE: NONE	
FILENAME: C:\CADKEY7\PRTR\CLUST\92264		REV: