

2.75" OD x .125" THK
304 SS FLANGE

.250 MALE PUSH ON TABS
PANDUIT CROSS

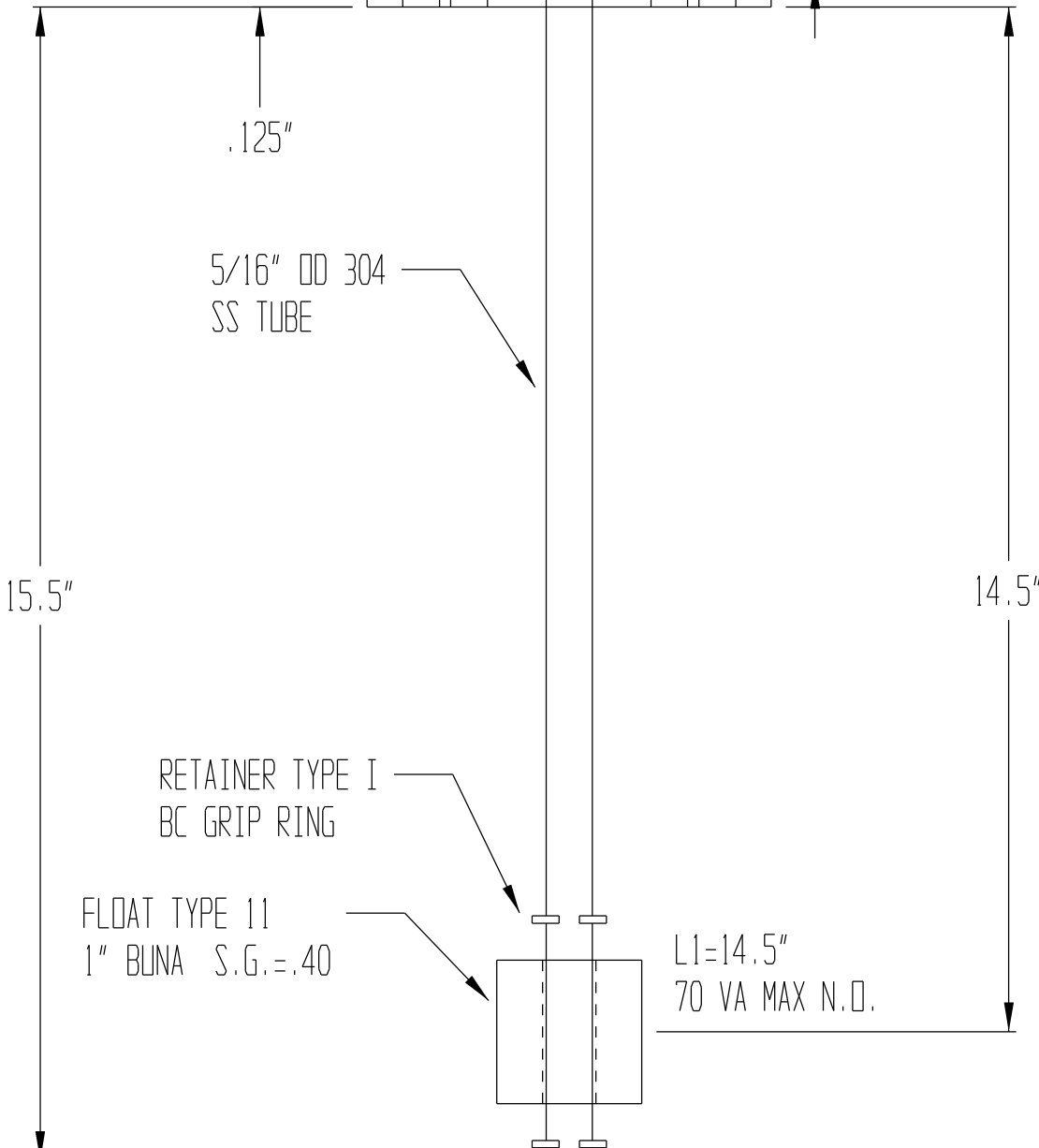
1.0"

36.0"

WIRING STYLE S
SEPARATE LEADS 37"
20AWG PVC 2 CONDUCTOR CABLE

1" OF SHRINK
WITH GLUE

.375



5/16" OD 304
SS TUBE

RETAINER TYPE I
BC GRIP RING

FLOAT TYPE 11
1" BUNA S.G. = .40

L1=14.5"
70 VA MAX N.D.

PLEASE NOTE:

THIS DRAWING AND SPECIFICATION IS THE PROPERTY OF INNOVATIVE COMPONENTS, LLC. AND IS TO BE USED SOLELY AS A TECHNICAL REFERENCE BY INNOVATIVE COMPONENTS' CUSTOMERS. ANY REPRODUCTION OR DISTRIBUTION TO THE CONTRARY IS PROHIBITED.

SIGNATURE OF APPROVAL _____ DATE _____

PRINT: _____

SIGN: _____

	INNOVATIVE COMPONENTS	
	384 OLD TURNPIKE ROAD, P.O. BOX 294 SOUTHINGTON, CT. 06489	

TITLE: **STAINLESS & BUNA LEVEL SENSOR**

MODEL: 11-AL-1111	DRAWN BY: F. J. K
PART#: 92321	DATE: 04/24/00
FILENAME: C:\CK7\PRN\CLUST\92321	SHEET: 1 OF 1
REVISION: _____	SCALE: NONE

STANDARD TOLERANCES
.000 = ± .010
.00 = ± .050
.0 = ± .100
0 = ± .200
ANGLES ± 5°
TEMP ± 5°C