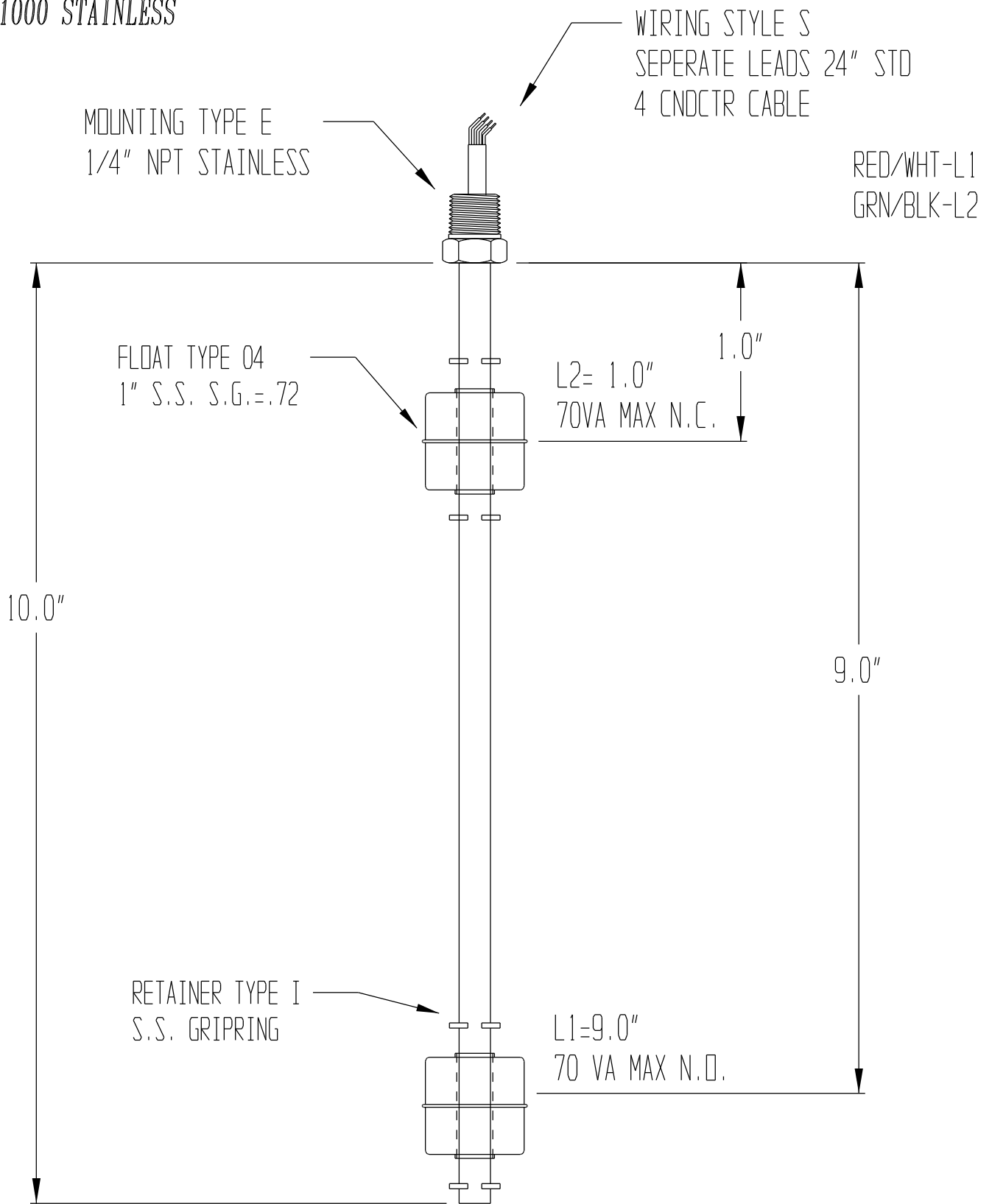


SERIES 1000 STAINLESS



PLEASE NOTE:

THIS DRAWING AND SPECIFICATION IS THE PROPERTY OF INNOVATIVE COMPONENTS, LLC. AND IS TO BE USED SOLEY AS A TECHNICAL REFERENCE BY INNOVATIVE COMPONENTS' CUSTOMERS. ANY REPRODUCTION OR DISTRIBUTION TO THE CONTRARY IS PROHIBITED.

SIGNATURE OF APPROVAL _____ DATE _____
 PRINT: _____
 SIGN: _____

	INNOVATIVE COMPONENTS	
	384 OLD TURNPIKE ROAD, P.O. BOX 294 SOUTHINGTON, CT. 06489	

STANDARD TOLERANCES .000 = ± .010 .00 = ± .050 .0 = ± .100 0 = ± .200 ANGLES ± 5° TEMP ± 5°C	TITLE: STAINLESS STEEL MULTILEVEL	
	MODEL: 11-E-0412	DRAWN BY: F. J. K
	STOCK: 92442	DATE: 09/19/00
		SHEET: 1 OF 1
		SCALE: NONE
FILENAME: C:\CK7\PRN\CUST		REV: