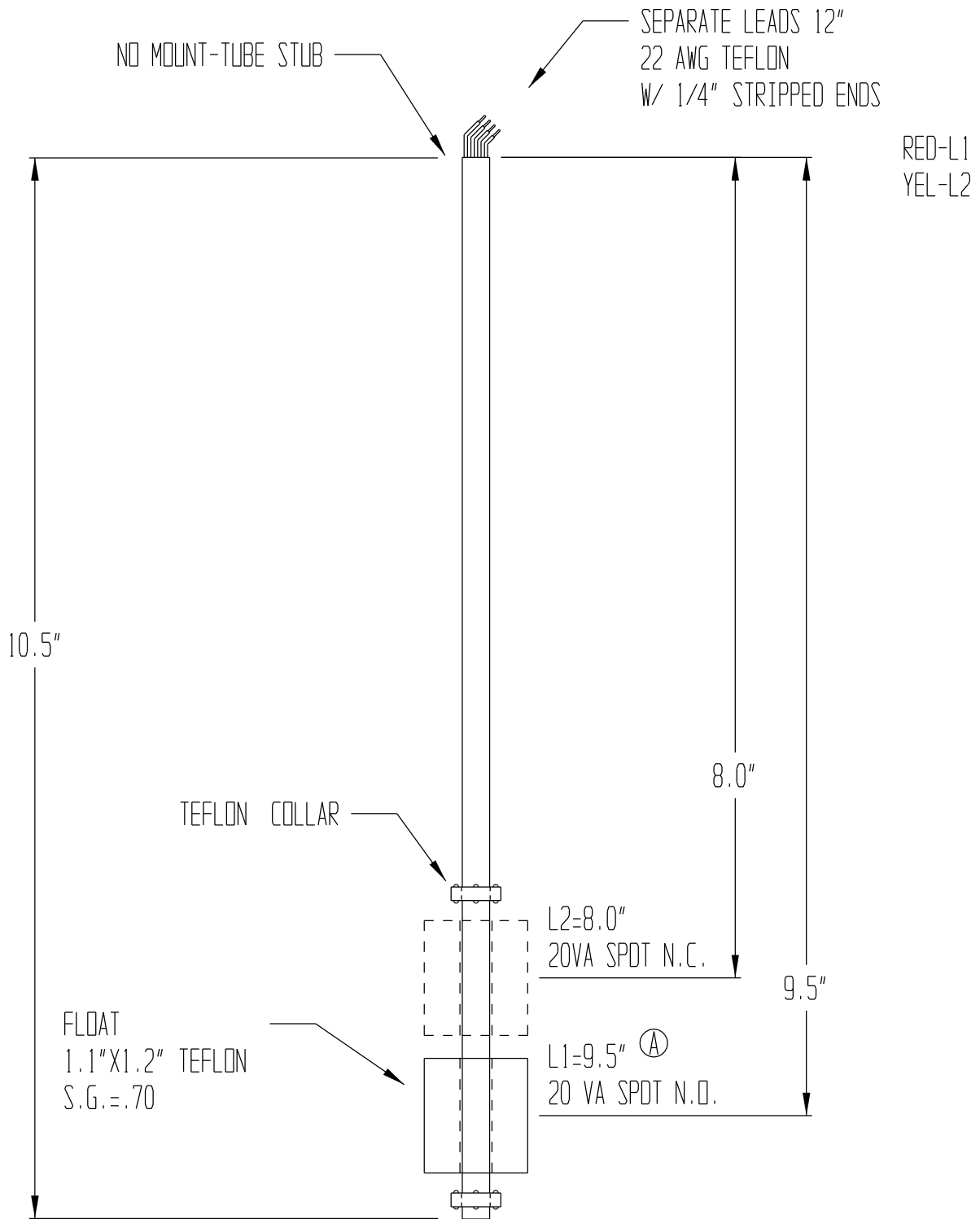


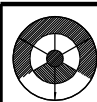
# TEFLON LEVEL SENSOR



**PLEASE NOTE:**

THIS DRAWING AND SPECIFICATION IS THE PROPERTY OF INNOVATIVE COMPONENTS, LLC. AND IS TO BE USED SOLELY AS A TECHNICAL REFERENCE BY INNOVATIVE COMPONENTS' CUSTOMERS. ANY REPRODUCTION OR DISTRIBUTION TO THE CONTRARY IS PROHIBITED.

SIGNATURE OF APPROVAL \_\_\_\_\_ DATE \_\_\_\_\_  
 PRINT: \_\_\_\_\_  
 SIGN: \_\_\_\_\_



**INNOVATIVE COMPONENTS**

384 OLD TURNPIKE ROAD, P.O. BOX 294  
SOUTHINGTON, CT. 06489

TITLE: <b>TEFLON MULTILEVEL SENSOR</b>	
MODEL: <b>15-X-6022</b>	DRAWN BY: F.J.K
STOCK: <b>92601</b>	DATE: 02/14/01
FILENAME: C:\CK7\PRN\CLST	SHEET: 1 OF 1
REV:	SCALE: NONE

STANDARD TOLERANCES
.000 = ± .010
.00 = ± .050
.0 = ± .100
0 = ± .200
ANGLES ± 5°
TEMP ± 5°C