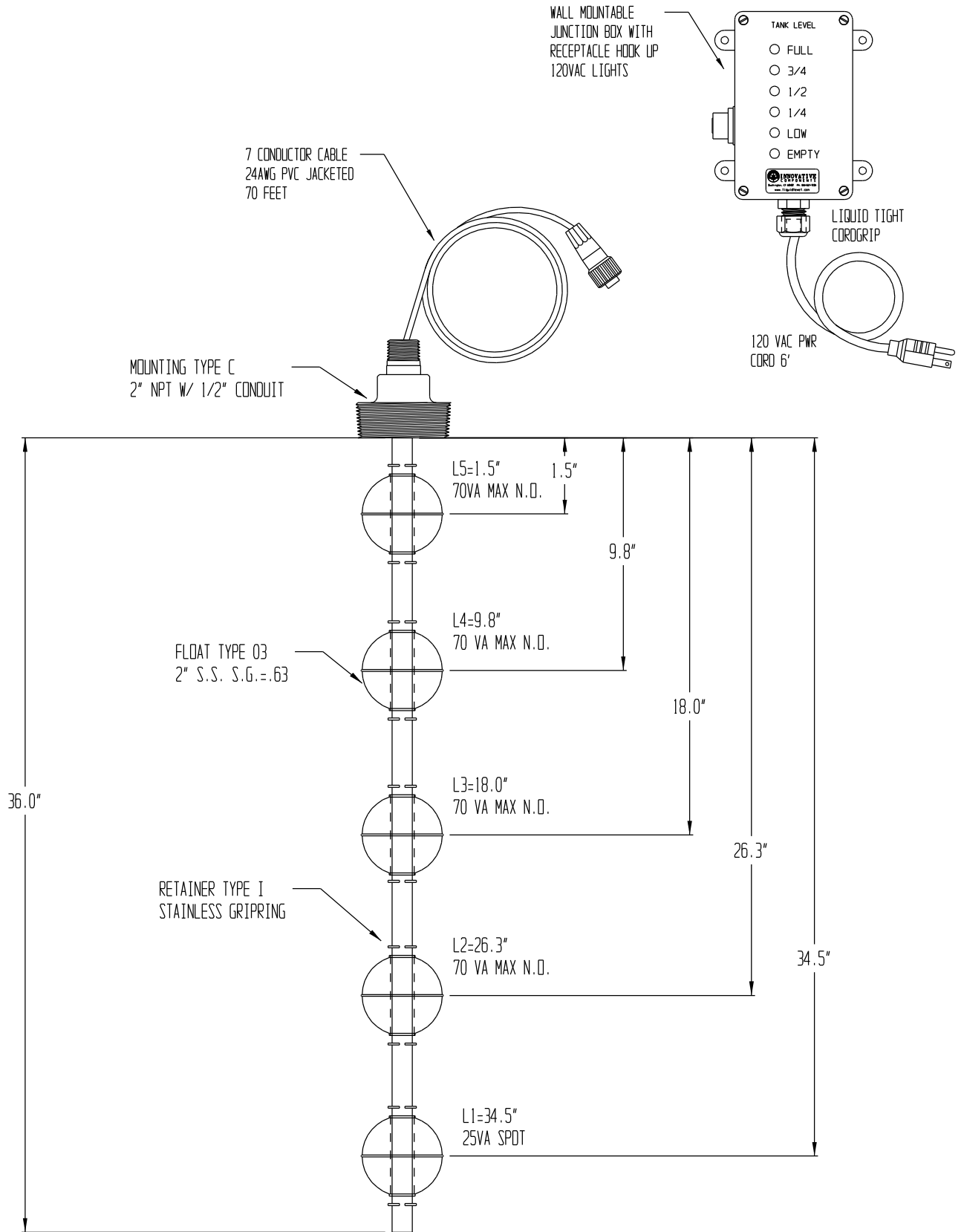


SERIES 2000 STAINLESS



PLEASE NOTE:

THIS DRAWING AND SPECIFICATION IS THE PROPERTY OF INNOVATIVE COMPONENTS AND IS TO BE USED SOLEY AS A TECHNICAL REFERENCE BY INNOVATIVE COMPONENTS' CUSTOMERS. ANY REPRODUCTION OR DISTRIBUTION TO THE CONTRARY IS PROHIBITED.

SIGNATURE OF APPROVAL _____ DATE _____
 PRINT: _____
 SIGN: _____

	INNOVATIVE COMPONENTS	
	384 OLD TURNPIKE ROAD, P.O. BOX 294 SOUTHINGTON, CT. 06489	

TITLE: **STAINLESS STEEL LKI**

MODEL: 21-C-0315-LKI	DRAWN BY: F.J.K
	DATE: 10/25/04

STOCK: 93885	SHEET: 1 OF 1
	SCALE: NONE

FILENAME: C:\CK7\PR21C-0315-LKI	REV: _____
---------------------------------	------------