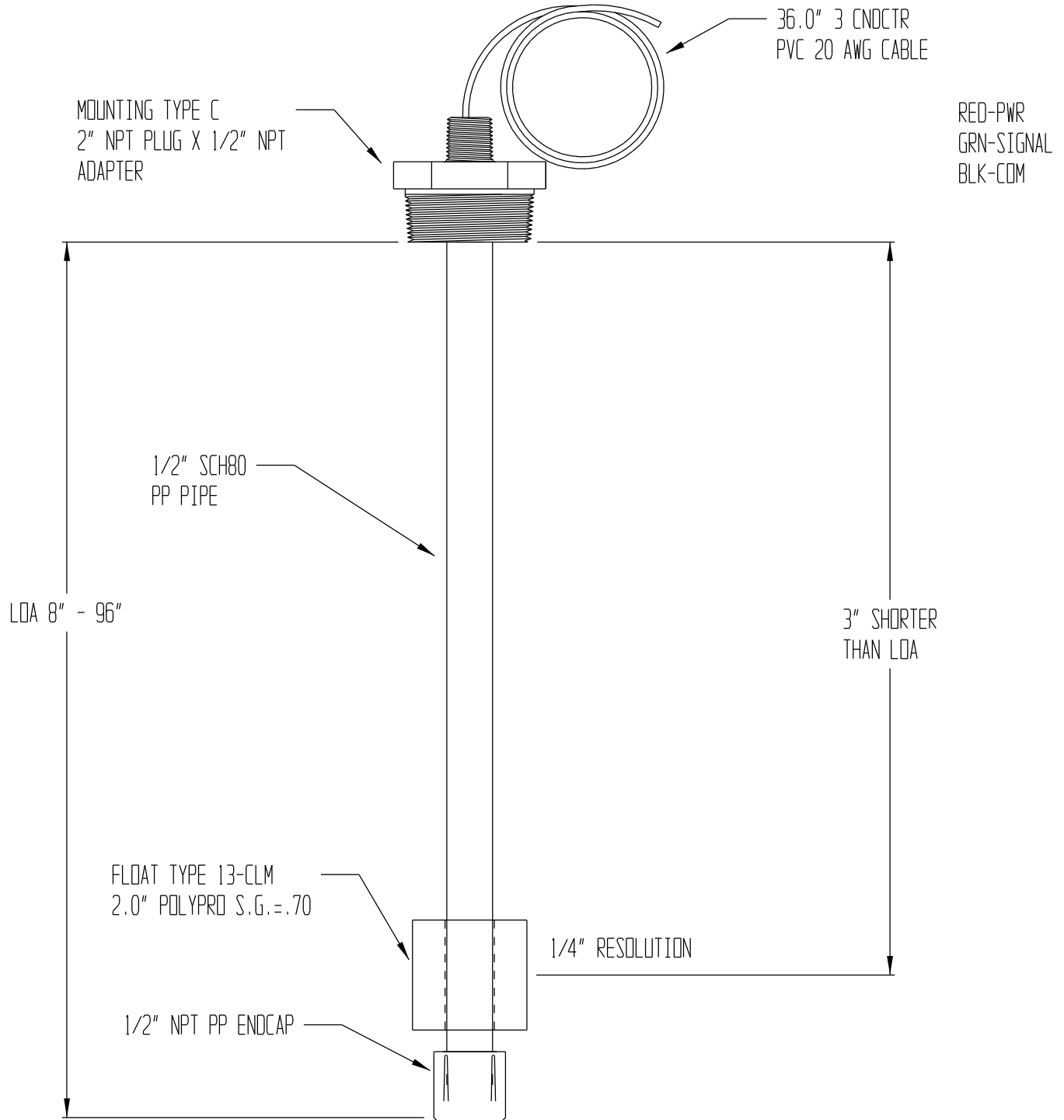


-SENSOR IS A THREE WIRE POTENTIOMETER
 -SIGNAL CONDITIONER OR DIGITAL PANEL METER
 REQUIRED FOR 4-20MA SIGNAL



PLEASE NOTE:

THIS DRAWING AND SPECIFICATION IS THE PROPERTY
 OF INNOVATIVE COMPONENTS AND IS TO BE USED
 SOLEY AS A TECHNICAL REFERENCE BY INNOVATIVE
 COMPONENTS' CUSTOMERS. ANY REPRODUCTION OR
 DISTRIBUTION TO THE CONTRARY IS PROHIBITED.

SIGNATURE OF APPROVAL _____ DATE _____
 PRINT: _____
 SIGN: _____

 **INNOVATIVE COMPONENTS**
 384 OLD TURNPIKE ROAD, P.O. BOX 294
 SOUTHLINGTON, CT. 06489

STANDARD TOLERANCES .000 = ± .010 .00 = ± .050 .0 = ± .100 0 = ± .200 ANGLES ± 5° TEMP ±5°C	TITLE: POLYPROPYLENE CONTINUOUS LEVEL	
	MODEL: CLM-2000-PP	DRAWN BY: F.J.K
	STOCK: X	DATE: 09/29/04
	FILENAME: C:\CADKEY7\PRV\CLM	SCALE: NONE
		REV: