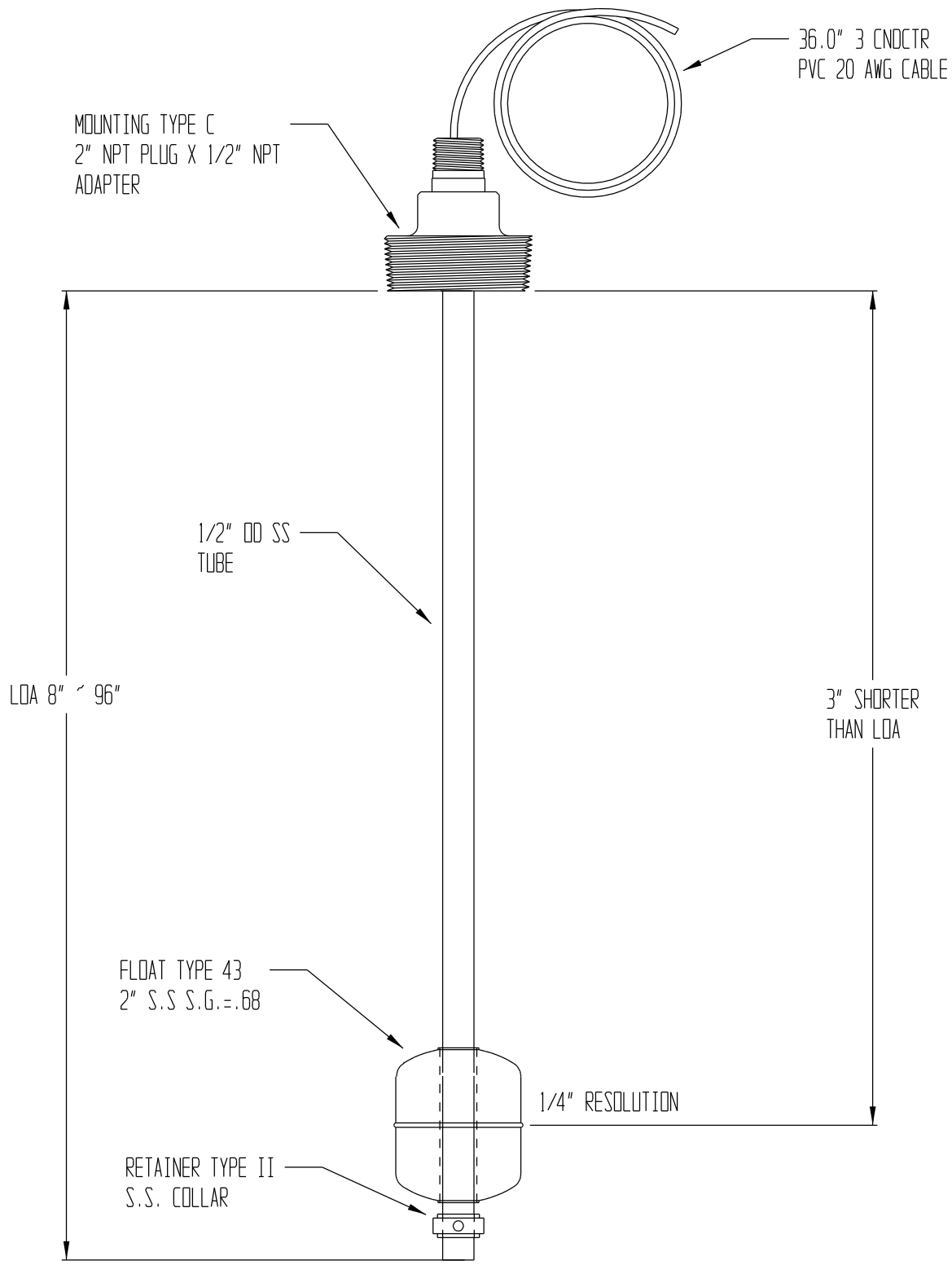


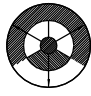
-SENSOR IS A THREE WIRE POTENTIOMETER  
 -SIGNAL CONDITIONER OR DIGITAL PANEL METER  
 REQUIRED FOR 4-20MA SIGNAL



RED-PWR  
 GRN-SIGNAL  
 BLK-GRD

PLEASE NOTE:  
 THIS DRAWING AND SPECIFICATION IS THE PROPERTY  
 OF INNOVATIVE COMPONENTS AND IS TO BE USED  
 SOLEY AS A TECHNICAL REFERENCE BY INNOVATIVE  
 COMPONENTS' CUSTOMERS. ANY REPRODUCTION OR  
 DISTRIBUTION TO THE CONTRARY IS PROHIBITED.

SIGNATURE OF APPROVAL \_\_\_\_\_ DATE \_\_\_\_\_  
 PRINT: \_\_\_\_\_  
 SIGN: \_\_\_\_\_

	<b>INNOVATIVE COMPONENTS</b> 384 OLD TURNPIKE ROAD, P.O. BOX 294 SOUTHLINGTON, CT. 06489	
	TITLE: <b>STAINLESS STEEL CONTINUOUS MONITOR</b>	
STANDARD TOLERANCES .000 = ± .010 .00 = ± .050 .0 = ± .100 0 = ± .200 ANGLES ± 5° TEMP 45°C	MODEL: <b>CLM-2000-SS</b>	DRAWN BY: F.J.K DATE: 07/13/05
	STOCK: <b>X</b>	SHEET: 1 OF 1 SCALE: NONE
	FILENAME: C:\CK7\PRV\CLM	
		REV: