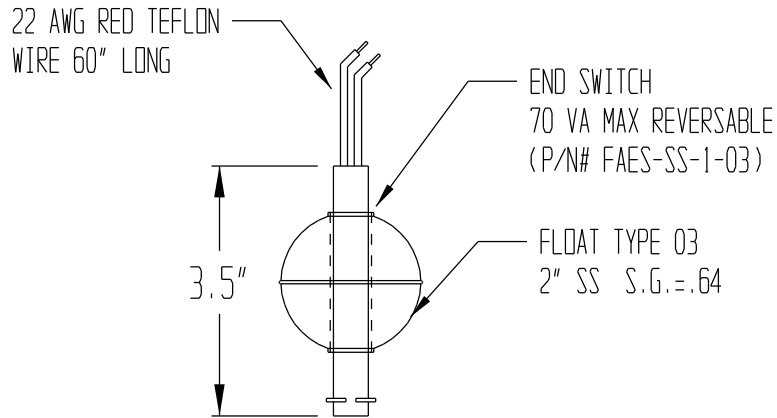
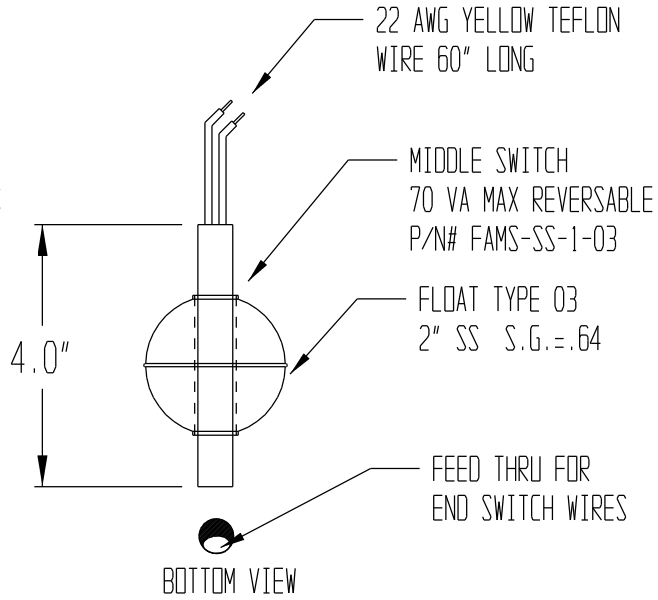
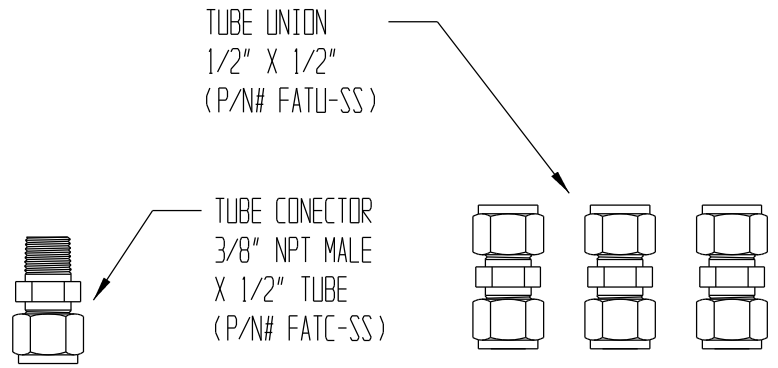
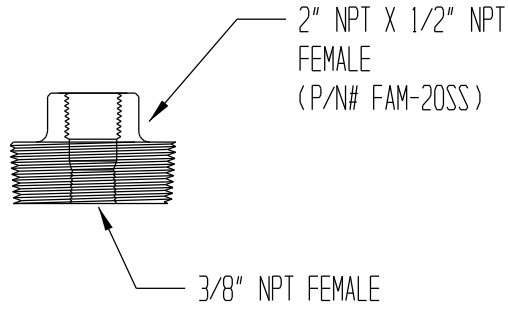


FIELD ASSEMBLED MULTI LEVEL FA-2002-SS



PLEASE NOTE:

THIS DRAWING AND SPECIFICATION IS THE PROPERTY OF INNOVATIVE COMPONENTS AND IS TO BE USED SOLELY AS A TECHNICAL REFERENCE BY INNOVATIVE COMPONENTS' CUSTOMERS. ANY REPRODUCTION OR DISTRIBUTION TO THE CONTRARY IS PROHIBITED.

SIGNATURE OF APPROVAL	DATE
PRINT:	
SIGN:	

	INNOVATIVE COMPONENTS	
	384 OLD TURNPIKE ROAD, P.O. BOX 294 SOUTHINGTON, CT. 06489	

STANDARD TOLERANCES .000 ± .010 .00 ± .050 .0 ± .100 0 ± .200 ANGLES ± 5° TEMP ± 5°C	TITLE: FIELD ASSEMBLED MULTI LEVEL	
	MODEL: FA-2002-SS	DRAWN BY: F.J.K
	STOCK: FA-2002-SS	DATE: 05/08/03
	FILENAME: C:\CK7\PRT\FA2002SS\1MASTER	SHEET: 1 OF 1
		SCALE: NONE
	REV:	