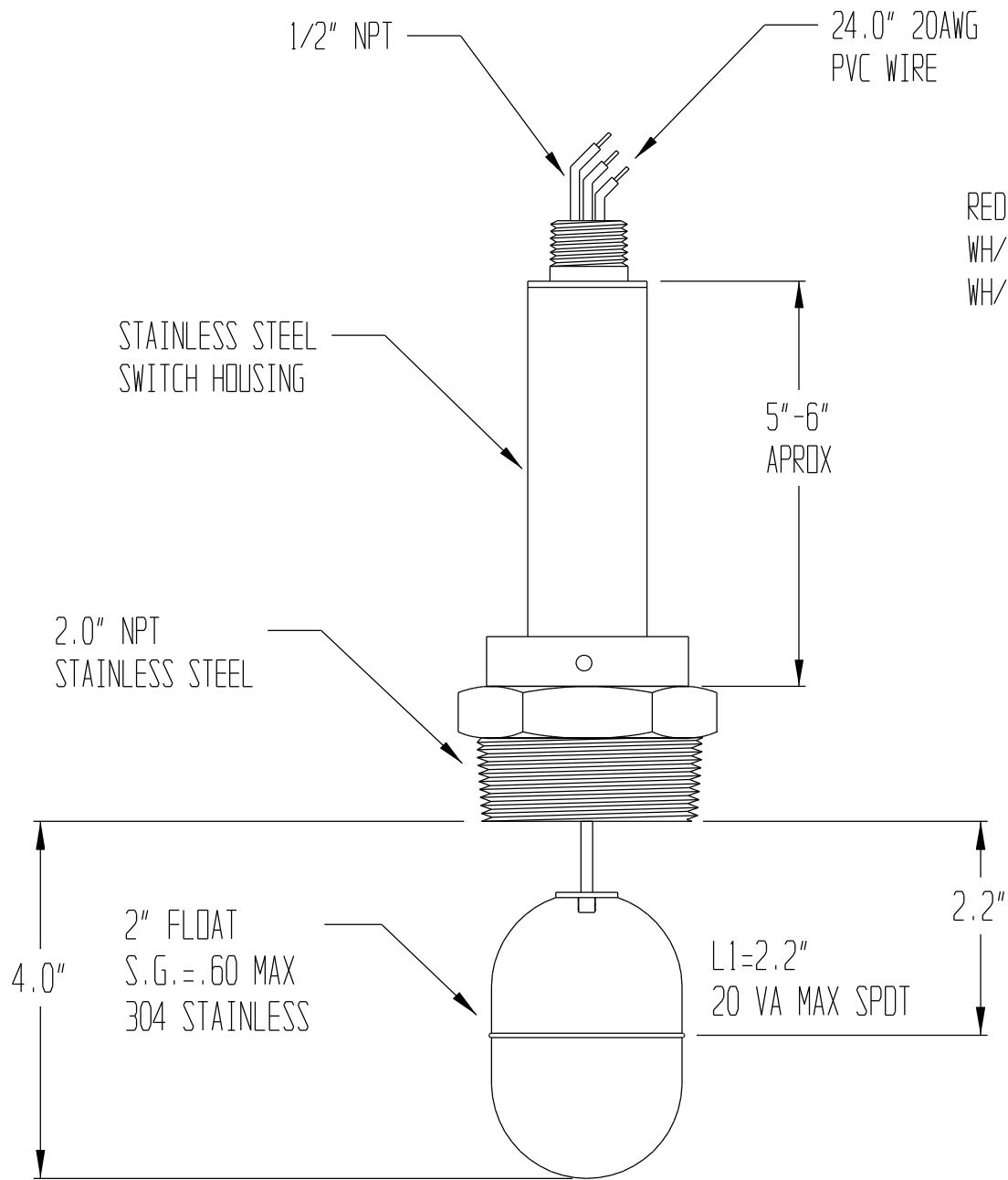


# STAINLESS STEEL HIGH TEMP



RED-COM  
WH/RD-N.D.  
WH/BK/RD-N.C.

**PLEASE NOTE:**

THIS DRAWING AND SPECIFICATION IS THE PROPERTY OF INNOVATIVE COMPONENTS AND IS TO BE USED SOLELY AS A TECHNICAL REFERENCE BY INNOVATIVE COMPONENTS' CUSTOMERS. ANY REPRODUCTION OR DISTRIBUTION TO THE CONTRARY IS PROHIBITED.

SIGNATURE OF APPROVAL    DATE  
 PRINT: \_\_\_\_\_  
 SIGN: \_\_\_\_\_

	<b>INNOVATIVE COMPONENTS</b>	
	384 OLD TURNPIKE ROAD, P.O. BOX 294 SOUTHLINGTON, CT. 06489	

<b>STANDARD TOLERANCES</b> .000 = ± .010 .00 = ± .050 .0 = ± .100 0 = ± .200 ANGLES ± 5° TEMP ± 5°C	TITLE: HTS-2000 STAINLESS STEEL	
	MODEL: HTS-2000	DRAWN BY: F.J.K
	STOCK: X	DATE: 05/25/05
		SHEET: 1 OF 1
		SCALE: NONE
FILENAME: C:\CK7\prt\HTS		REV: