

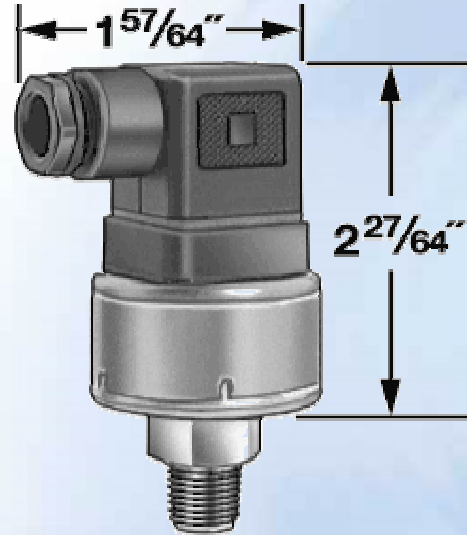
Pressure Transducer - PT-1000

Pressure transducers (also known as pressure transmitters) sense and then convert pressures into electrical output signals. You can send the output signals to a monitoring device where they can be saved, displayed, or used to control pressure in a system.

Only 2 27/64" high, these transducers fit in tight spots. All have a Type 304 stainless steel case and Type 316 stainless steel wetted parts. CE approved.

Transducers with a 0-15 to 0-200 psi pressure range use silicone oil transmitting liquid. All others have a thin film sensing element for improved resistance to pressure spikes.

**Output signal - 4-20ma, 2 wire



- Accuracy: H 0.5% full scale
- Repeatability: H 0.1% full scale
- Response Time: H 5 ms (milliseconds)
- Power Supply: 10-30 VDC
- Pressure Connection: 1/4" NPT male
Type 316 stainless steel
- Electrical Connection: DIN 43650 (4-pin Hirschmann style) solderless screw terminal
- Temp. Range: Ambient: -22° to +176° F
Process: -40° to +212° F

| Pressure Range | Overpressure Limit |
|----------------|--------------------|
| 0-15 | 75 |
| 0-25 | 145 |
| 0-50 | 245 |
| 0-60 | 245 |
| 0-100 | 500 |
| 0-200 | 500 |
| 0-300 | 725 |
| 0-500 | 1,160 |

| Pressure Range | Overpressure Limit |
|----------------|--------------------|
| 0-750 | 1,740 |
| 0-1,000 | 1,740 |
| 0-1,500 | 2,900 |
| 0-2,000 | 2,900 |
| 0-3,000 | 4,640 |
| 0-5,000 | 11,600 |
| 0-7,500 | 11,600 |
| 0-10,000 | 17,400 |

Your Single Source for Float Type Level Switches