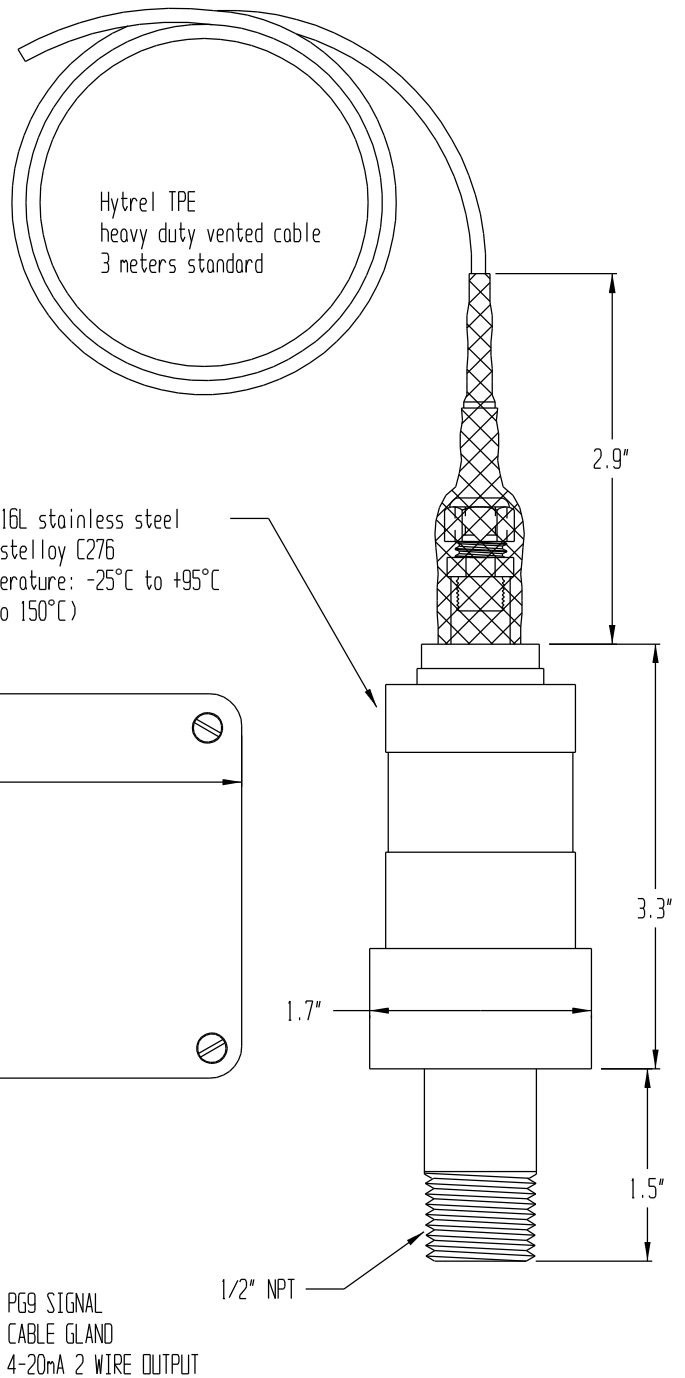


- * Sealed & submersible sensor construction
- * meets RFI/EMC standards
- * Marine classification "Type Approved"
- * Seawater, Oils & corrosive / hazardous duties
- * Versatile installation
- * Gauge or absolute versions
- * EExia IIC T5 intrinsically safe option



WALL MOUNT JUNCTION BOX
WHICH HOUSES THE ELECTRONICS
IP65 GRP (NEMA 4) W/INTERNALRFI SCREEN
(IP67 optional)

Sensor body: 316L stainless steel
Diaphragms: Hastelloy C276
Operating temperature: -25°C to +95°C
(option: -80 to 150°C)

Electronics op. temp:
-40 to +55°C

PG9 SENSOR
CABLE GLAND

PG9 SINTERED
BREATHER
GLAND

PG9 SIGNAL
CABLE GLAND
4-20mA 2 WIRE OUTPUT

Calibrated spans: From 0 - 300mm H2O to 0 - 100m H2O
Range adjustment: 3:1 turndown of normal range
Zero adjustment: ± 10% of calibrated span
Overload: Minimum of 50 metres or 5 x nominal range
Nominal ranges: 2, 4, 8, 16, 32, 50, 100, 200 metres H2O
Signal output: 4 -20mA DC 2 wire Minimum survival: -50°C
Power supply: 12 - 30V DC Accuracy: Better than ±0.25% FRD
Maximum load: 1000 ohms at 30V
Temp. coefficient: Less than 0.02% per °C shift zero and range

PLEASE NOTE:

THIS DRAWING AND SPECIFICATION IS THE PROPERTY
OF INNOVATIVE COMPONENTS AND IS TO BE USED
SOLEY AS A TECHNICAL REFERENCE BY INNOVATIVE
COMPONENTS' CUSTOMERS. ANY REPRODUCTION OR
DISTRIBUTION TO THE CONTRARY IS PROHIBITED.

<u>SIGNATURE OF APPROVAL</u>	<u>DATE</u>
PRINT: _____	_____
SIGN: _____	_____

	INNOVATIVE COMPONENTS	
	384 OLD TURNPIKE ROAD, P.O. BOX 294 SOUTHINGTON, CT. 06489	
TITLE: 316 SS PRESSURE TRANSMITTER		
MODEL: PT-1460	DRAWN BY: F. J. K	
STOCK: X	DATE: 04/05/05	
	SHEET: 1 OF 1	
	SCALE: NONE	
FILENAME: C:\CK7\PRT\PT-1460	REV:	