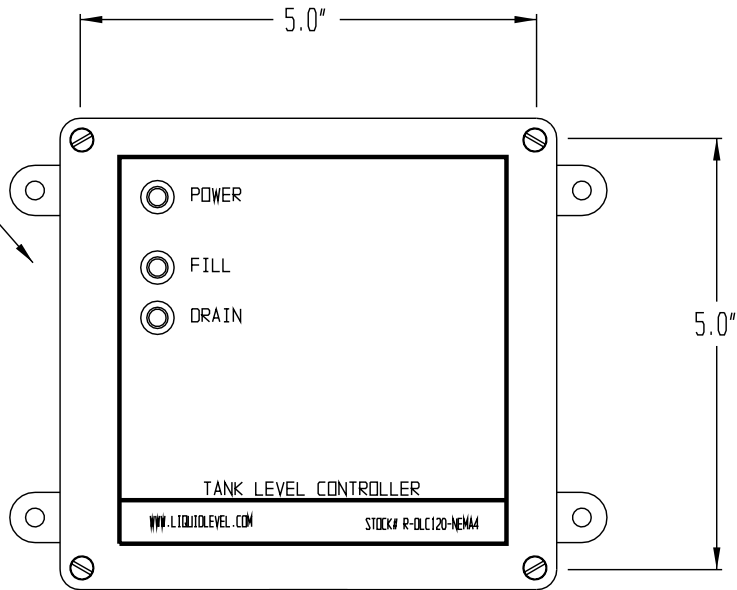


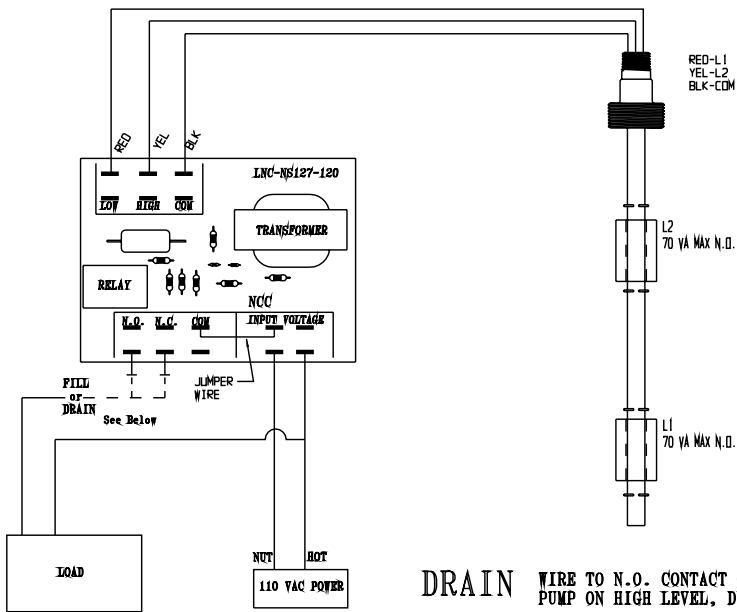
WALL MOUNTABLE
2 GANG J-BOX
NEMA4 WITH DLC RELAY



ENTRY FOR FLOAT
SWITCH WIRES AND
LOAD (pump or valve)

LIQUID TIGHT
CORDGRIP

120 VAC
6' PWR CORD



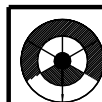
DRAIN WIRE TO N.O. CONTACT ON CIRCUIT BOARD:
PUMP ON HIGH LEVEL, DRAIN TANK

FILL WIRE TO N.C. CONTACT ON CIRCUIT BOARD:
PUMP ON LOW LEVEL, FILL TANK

PLEASE NOTE:

THIS DRAWING AND SPECIFICATION IS THE PROPERTY OF INNOVATIVE COMPONENTS AND IS TO BE USED SOLELY AS A TECHNICAL REFERENCE BY INNOVATIVE COMPONENTS' CUSTOMERS. ANY REPRODUCTION OR DISTRIBUTION TO THE CONTRARY IS PROHIBITED.

SIGNATURE OF APPROVAL	DATE
PRINT:	
SIGN:	



INNOVATIVE COMPONENTS

384 OLD TURNPIKE ROAD, P.O. BOX 294
SOUTHINGTON, CT. 06489

STANDARD TOLERANCES .000 = ± .010 .00 = ± .050 .0 = ± .100 0 = ± .200 ANGLES ± 5° TEMP 45°C	TITLE: DUAL LEVEL CONTROL RELAY	MODEL: R-DLC-120	DRAWN BY: F.J.K
	STOCK: R-DLC120-NEMA4		DATE: 07/07/04
			SHEET: 1 OF 1
			SCALE: NONE
	FILENAME: C:\CK7\PR\J-BOX		REV: