



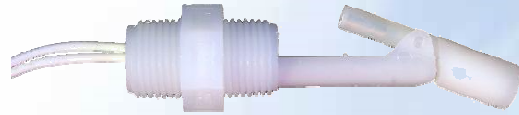
**INNOVATIVE**  
COMPONENTS

### Standard Single Level – Horizontal – Polypropylene

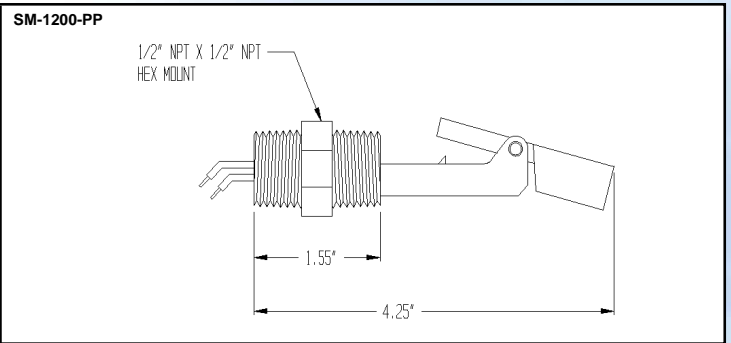
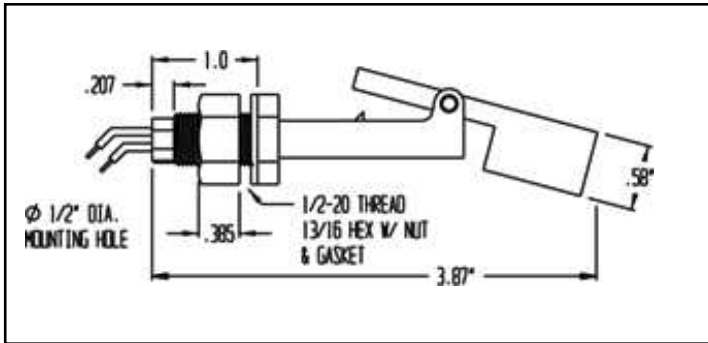
Ideal for low cost high volume use, offers high reliability and compact size. Broad compatibility with various chemicals, water, and oils makes plastic the material of choice for the OEM.



SM-1100-PP



SM-1200-PP



-Units are shipped N.O. unless otherwise specified. Switch state can be changed from N.O. to N.C. by inverting the float on the stem.  
(N.O.~ Normally Open - N.C.~ Normally Closed)  
-UL Recognized - File# E177423

**Color Code**



Contact Rating	Type	Max Switching Voltage	Max Switching Current
70 VA / 50 W	SPST	150 VAC / 200 VDC	0.7A AC / 1.0A DC

Part#	Material	Reed Switch	S.G	Max Pressure	Operating Temp	Lead Wires
SM-1000-PP	Polypropylene	70 VA SPST	.70	150 PSI	-40 TO 212F	22 awg PVC 24"
SM-1200-PP			.60	100 PSI	-15 TO 221F	

**Your Single Source for Float Type Level Switches**



Manufacturer of  
Liquid Level  
Switches

384 Old Turnpike Road  
Plantsville, CT 06479

PH:860.621.7220  
FX:860.620.0288  
www.liquidlevel.com