



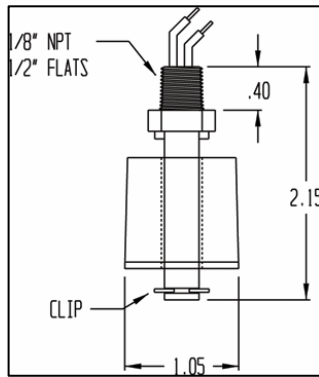
## Standard Single Level – PVC & Teflon®

PVC-Ideal for low cost high volume use, offers high reliability and compact size. Broad compatibility with various chemicals, water, and oils makes plastic the material of choice for the OEM.

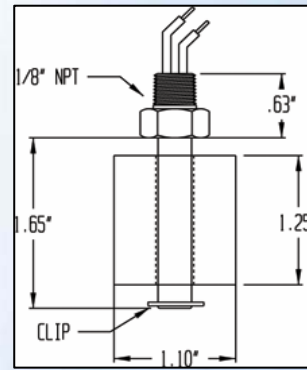
Teflon-Ideal for ultra pure, highly corrosive applications. The non-stick nature of PTFE resists build up of foreign material or sticky media.



LS-13-150

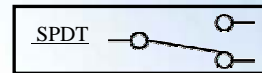


LS-15-600

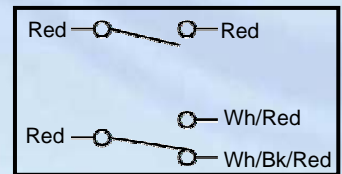


-Units are shipped N.O. unless otherwise specified. Switch state can be changed from N.O. to N.C. by inverting the float on the stem.  
 (N.O.~ Normally Open - N.C.~ Normally Closed)  
 -UL Recognized - File# E177423

Contact Rating	Type	Max Switching Voltage	Max Switching Current
70 VA / 50 W	SPST	150 VAC / 200 VDC	0.7A AC / 1.0A DC
100 VA	SPST	300 VAC / 350 VDC	1.0A AC / 2.5A DC
3 VA	SPDT	100 VAC / DC	0.25A AC/DC



### Color Code



Part#	Material	Reed Switch	S.G	Max Pressure	Operating Temp	Lead Wires
LS-13-151/2	PVC	70 VA SPST	.78	50 PSI	140°F Water (-40 TO 230°F Oil)	20 awg PVC 24"
LS-13-153/4		100 VA SPST				
LS-13-155		3 VA SPDT				
LS-15-601	Teflon®	70 VA SPST - N.O.	.70	25 PSI @ 150°F	-40 TO 375°F	22 awg Teflon 24"
LS-15-602		70 VA SPST - N.C.				
LS-15-603		100 VA SPST - N.O.				
LS-15-604		100 VA SPST - N.C.				
LS-15-605		3 VA SPDT				

**Your Single Source for Float Type Level Switches**



Manufacturer of  
Liquid Level  
Switches

384 Old Turnpike Road  
Plantsville, Ct 06479

PH:860.621.7220  
FX:860.620.0288  
www.liquidlevel.com