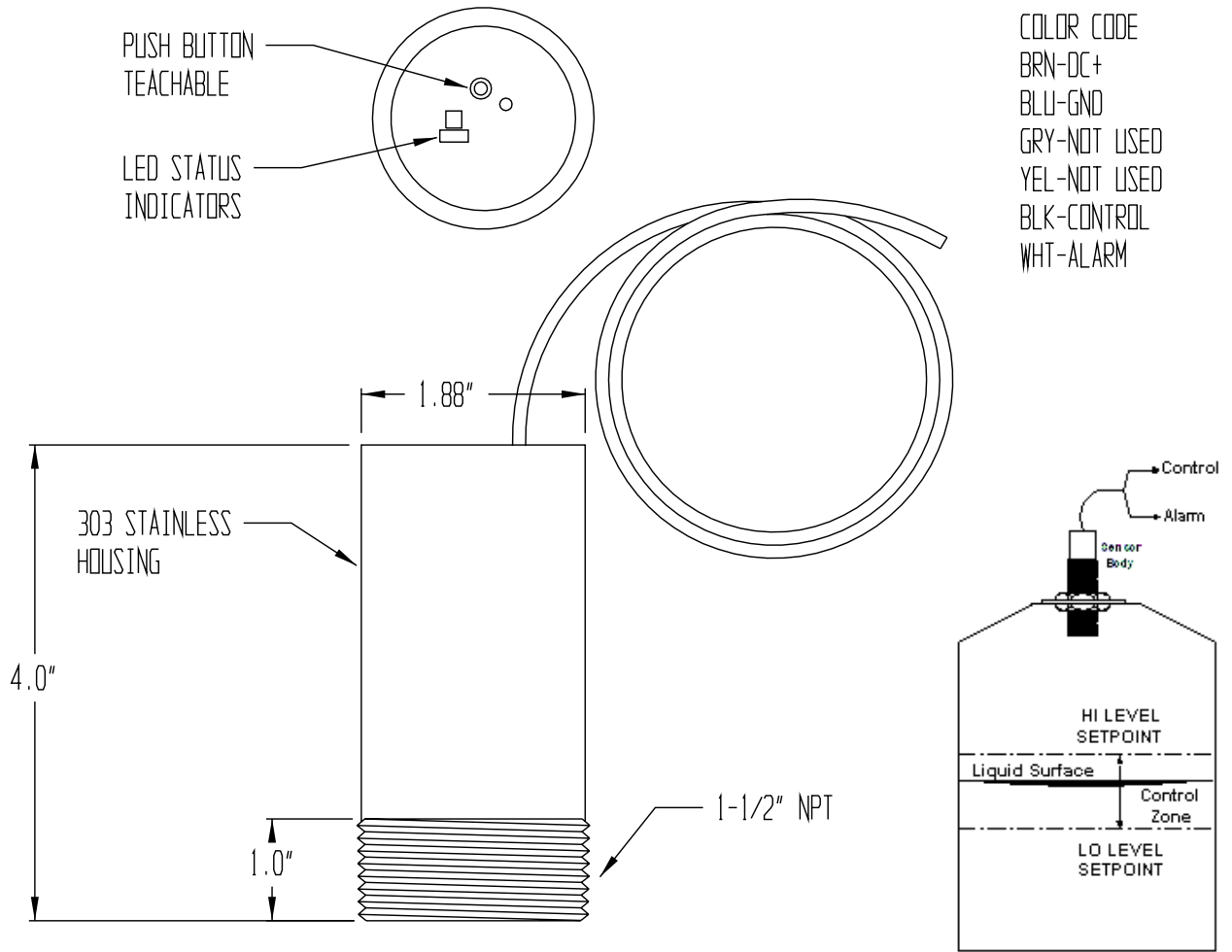


ULS SERIES ULTRASONIC

Thursday, September 14, 2006 14:07:22



COLOR CODE
 BRN-DC+
 BLU-GND
 GRY-NOT USED
 YEL-NOT USED
 BLK-CONTROL
 WHT-ALARM

Repeatability - Nominal 0.1% of range at constant environment
 Resolution- 0.003384 in. (0.86 mm) max
 Teachable features - Control and Alarm Setpoints, Fill or empty Mode
 Output time delay, filter, other features
 Outputs - Control switch and Alarm switch
 - Either output may switch may be sinking ("NPN") or sourcing ("PNP") type
 Output Delay - Used to eliminate splash & transient events
 Switch Ratings - 150ma, both sinking and sourcing options
 Input Power - 10-30 VDC, 68 ma. max.
 Connection - 6-Wire pigtail cable, shielded, length 6 FT
 Environmental - Temp. -40 to 70C, humidity 0-100% operating
 Protection - IP68, NEMA-4x, NEMA-6P

SENSING RANGE: 10 INCHES - 30 FEET

Level Control Features
 *Control output maintains level
 *Alarm output on LO, HI, no target
 *Fill or Empty mode selection
 *Control & Alarm status indicators
 *Time delayed output selection
 *Works with liquids or solids

PLEASE NOTE:

THIS DRAWING AND SPECIFICATION IS THE PROPERTY OF INNOVATIVE COMPONENTS AND IS TO BE USED SOLELY AS A TECHNICAL REFERENCE BY INNOVATIVE COMPONENTS' CUSTOMERS. ANY REPRODUCTION OR DISTRIBUTION TO THE CONTRARY IS PROHIBITED.

SIGNATURE OF APPROVAL _____ DATE _____
 PRINT: _____
 SIGN: _____

INNOVATIVE COMPONENTS
 384 OLD TURNPIKE ROAD, P.O. BOX 294
 SOUTHLINGTON, CT. 06489

STANDARD TOLERANCES .000 = ± .010 .00 = ± .050 .0 = ± .100 0 = ± .200 ANGLES ± 5° TEMP ± 5°C	TITLE: ULS SERIES 150 ULTRASONIC	
	MODEL: ULS-150-SL	DRAWN BY: F. J. K
	STOCK: X	DATE: 05/09/05
	FILENAME: C:\CK7\PR\ULS-150SL	SHEET: 1 OF 1 SCALE: NONE
		REV: