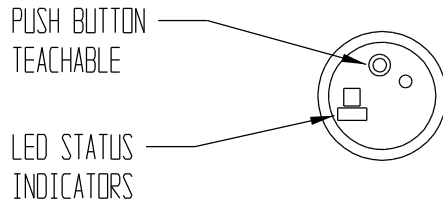
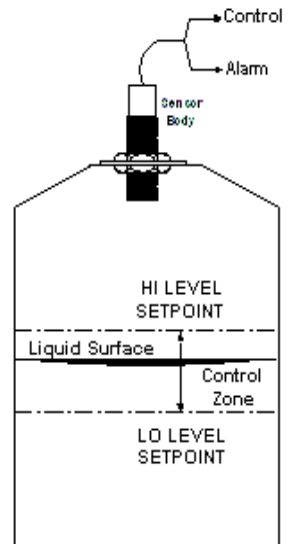
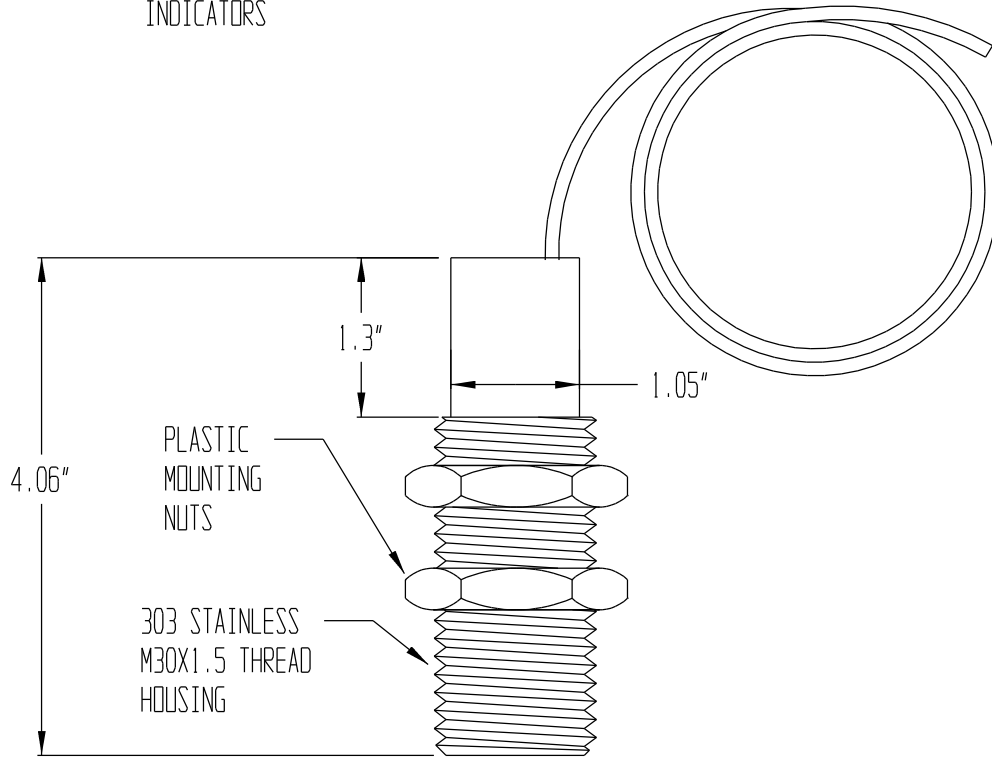


ULS SERIES ULTRASONIC



COLOR CODE
 BRN-DC+
 BLU-GND
 GRY-NOT USED
 YEL-NOT USED
 BLK-CONTROL
 WHT-ALARM



Repeatability - Nominal 0.1% of range at constant environment
 Resolution- 0.003384 in. (0.86 mm) max
 Teachable features - Control and Alarm Setpoints, Fill or empty Mode
 Output time delay, filter, other features
 Outputs - Control switch and Alarm switch
 - Either output switch may be sinking ("NPN") or sourcing ("PNP") type
 Output Delay - Used to eliminate splash & transient events
 Switch Ratings - 150ma, both sinking and sourcing options
 Input Power - 10-30 VDC, 68 ma. max.
 Connection - 6-Wire pigtail cable, shielded, length 6 FT
 Environmental - Temp. -40 to 70C, humidity 0-100% operating
 Protection - IP68, NEMA-4x, NEMA-6P

PART#S
 ULS-301-SL - 4 inches-14 feet

Level Control Features
 *Control output maintains level
 *Alarm output on LO, HI, no target
 *Fill or Empty mode selection
 *Control & Alarm status indicators
 *Time delayed output selection
 *Works with liquids or solids

PLEASE NOTE:

THIS DRAWING AND SPECIFICATION IS THE PROPERTY OF INNOVATIVE COMPONENTS AND IS TO BE USED SOLELY AS A TECHNICAL REFERENCE BY INNOVATIVE COMPONENTS' CUSTOMERS. ANY REPRODUCTION OR DISTRIBUTION TO THE CONTRARY IS PROHIBITED.

| | |
|-----------------------|------|
| SIGNATURE OF APPROVAL | DATE |
| PRINT: | |
| SIGN: | |

| | | |
|--|---|--|
| | INNOVATIVE COMPONENTS | |
| | 384 OLD TURNPIKE ROAD, P.O. BOX 294 SOUTHINGTON, CT. 06489 | |

| | | |
|--|---|---|
| STANDARD TOLERANCES .000 = ± .010 .00 = ± .050 .0 = ± .100 0 = ± .200 ANGLES ± 5° TEMP ± 5°C | TITLE: ULS SERIES 300 ULTRASONIC | DRAWN BY: F. J. K DATE: 03/07/05 SHEET: 1 OF 1 SCALE: NONE |
| | MODEL: ULS-301-SL | REV: |
| | STOCK: X | FILENAME: C:\CK7\PR\ULS-300SL |