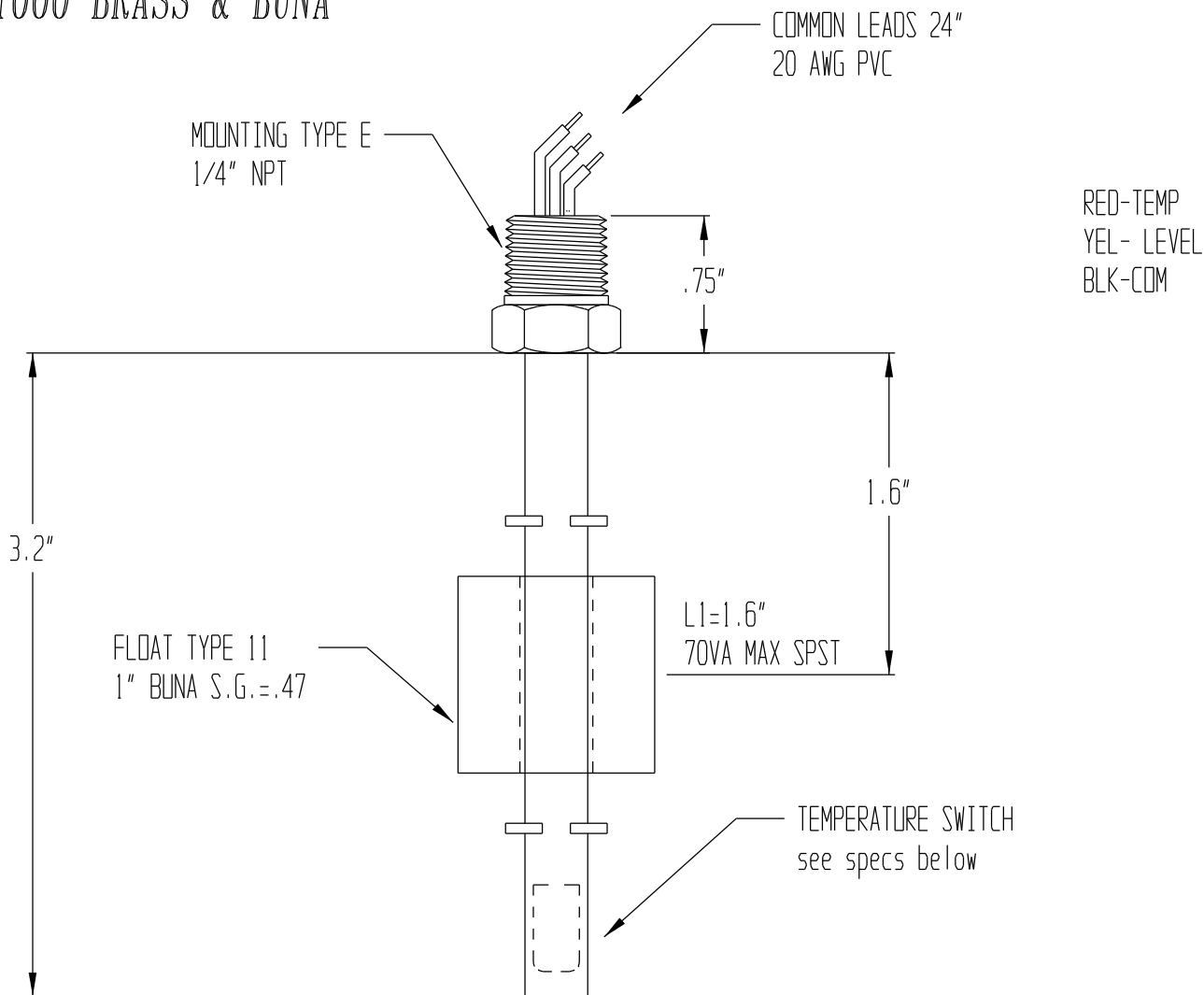


SERIES 1000 BRASS & BUNA



MATERIAL:

STEM: BRASS
 RETAINER: BERYLLIUM COPPER
 FLOAT: BUNA-N

MIN SP.GR: 0.47

OPERATING TEMP: 180°F WATER (-40 TO 230°F OIL)

MAX PRESSURE: 150 PSI

LEAD WIRES: 20 AWG PVC 24" COMMON WIRED

SWITCH OPERATION: N.O. OR N.C.

REED SWITCH

70 VA SPST N.O.
 70 VA SPST N.C.

PART#

TLS-52-111-xx (N.C. or N.O.)
 TLS-52-112-xx (N.C. or N.O.)

TEMPERATURE SWITCH SPECS.

5°C INCREMENTS FROM 30° C to 150° C

Accuracy: ±5°C

Contact Ratings:

2.0 amps @120vac/2 amps @ 24VDC

PLEASE NOTE:

THIS DRAWING AND SPECIFICATION IS THE PROPERTY OF INNOVATIVE COMPONENTS AND IS TO BE USED SOLELY AS A TECHNICAL REFERENCE BY INNOVATIVE COMPONENTS' CUSTOMERS. ANY REPRODUCTION OR DISTRIBUTION TO THE CONTRARY IS PROHIBITED.

SIGNATURE OF APPROVAL	DATE
PRINT:	
SIGN:	

	INNOVATIVE COMPONENTS	
	384 OLD TURNPIKE ROAD, P.O. BOX 294 SOUTHINGTON, CT. 06489	

STANDARD TOLERANCES .000 = ± .010 .00 = ± .050 .0 = ± .100 0 = ± .200 ANGLES ± 5° TEMP ± 5°C	TITLE: BRASS & BUNA TEMP/LEVEL	
	MODEL: T-52-110-XX	DRAWN BY: F.J.K
	STOCK: T-52-110-XX	DATE: 01/16/08
	FILENAME: C:\CK7\PRNTLS	SHEET: 1 OF 1
	REV:	SCALE: 5/16"=1"