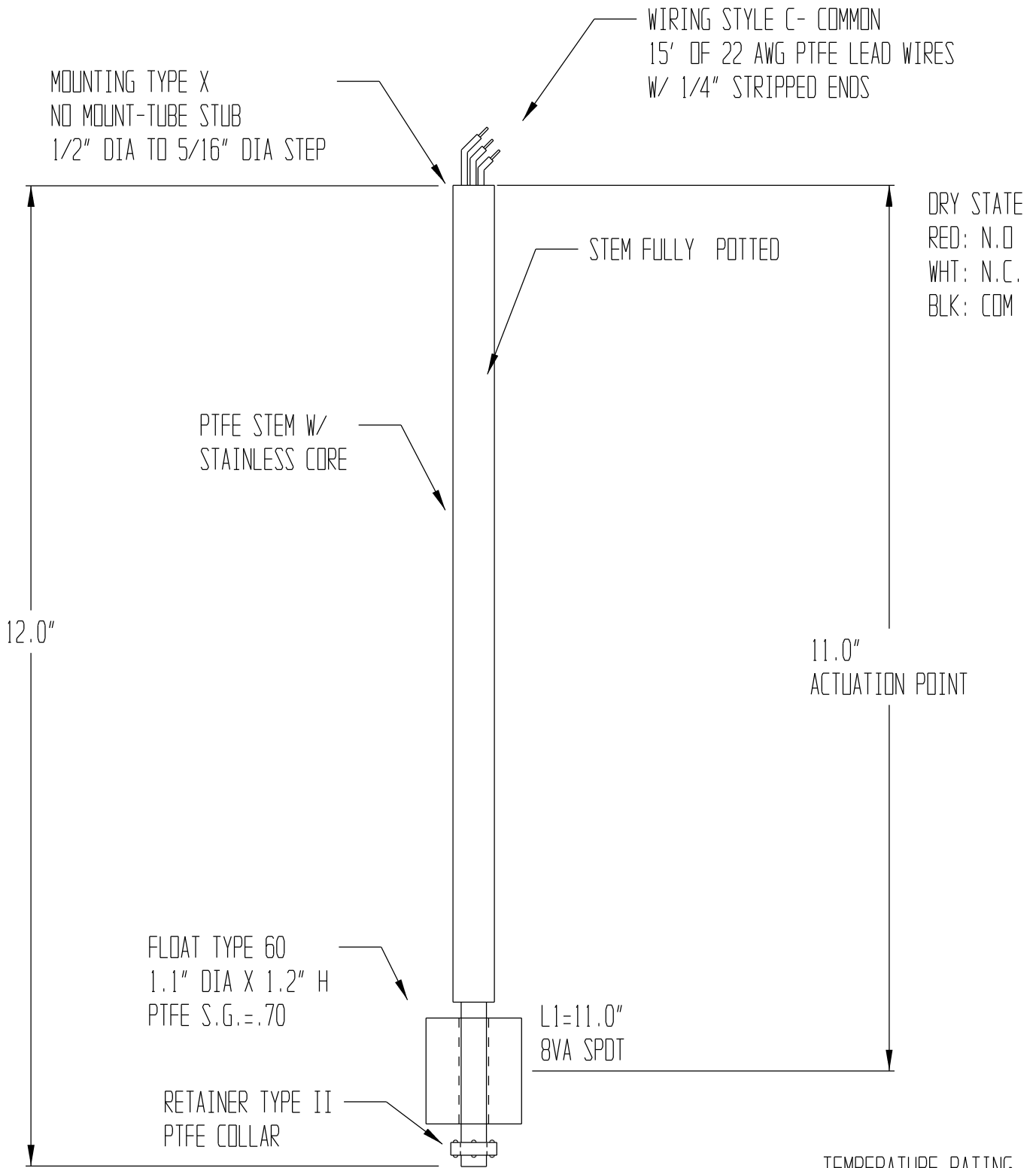


SERIES 1000 PTFE



PLEASE NOTE:

THIS DRAWING AND SPECIFICATION IS THE PROPERTY OF INNOVATIVE COMPONENTS, LLC. AND IS TO BE USED SOLEY AS A TECHNICAL REFERENCE BY INNOVATIVE COMPONENTS' CUSTOMERS. ANY REPRODUCTION OR DISTRIBUTION TO THE CONTRARY IS PROHIBITED.

<u>SIGNATURE OF APPROVAL</u>	<u>DATE</u>
PRINT: _____	_____
SIGN: _____	_____

STANDARD TOLERANCES
.000 = ± .010
.00 = ± .050
.0 = ± .100
0 = ± .200
ANGLES ± 5°
TEMP ± 5°C

	INNOVATIVE COMPONENTS
	384 OLD TURNPIKE ROAD, P.O. BOX 294 SOUTHINGTON, CT. 06489

TITLE: PTFE LOW LEVEL FLOAT	
REF#: 11-X-6021	DRAWN BY: F. J. K
STOCK: 92276	DATE: 03/01/00
FILENAME: C:\CK7\PRN\CLUST	SHEET: 1 OF 1
REV:	SCALE: NONE