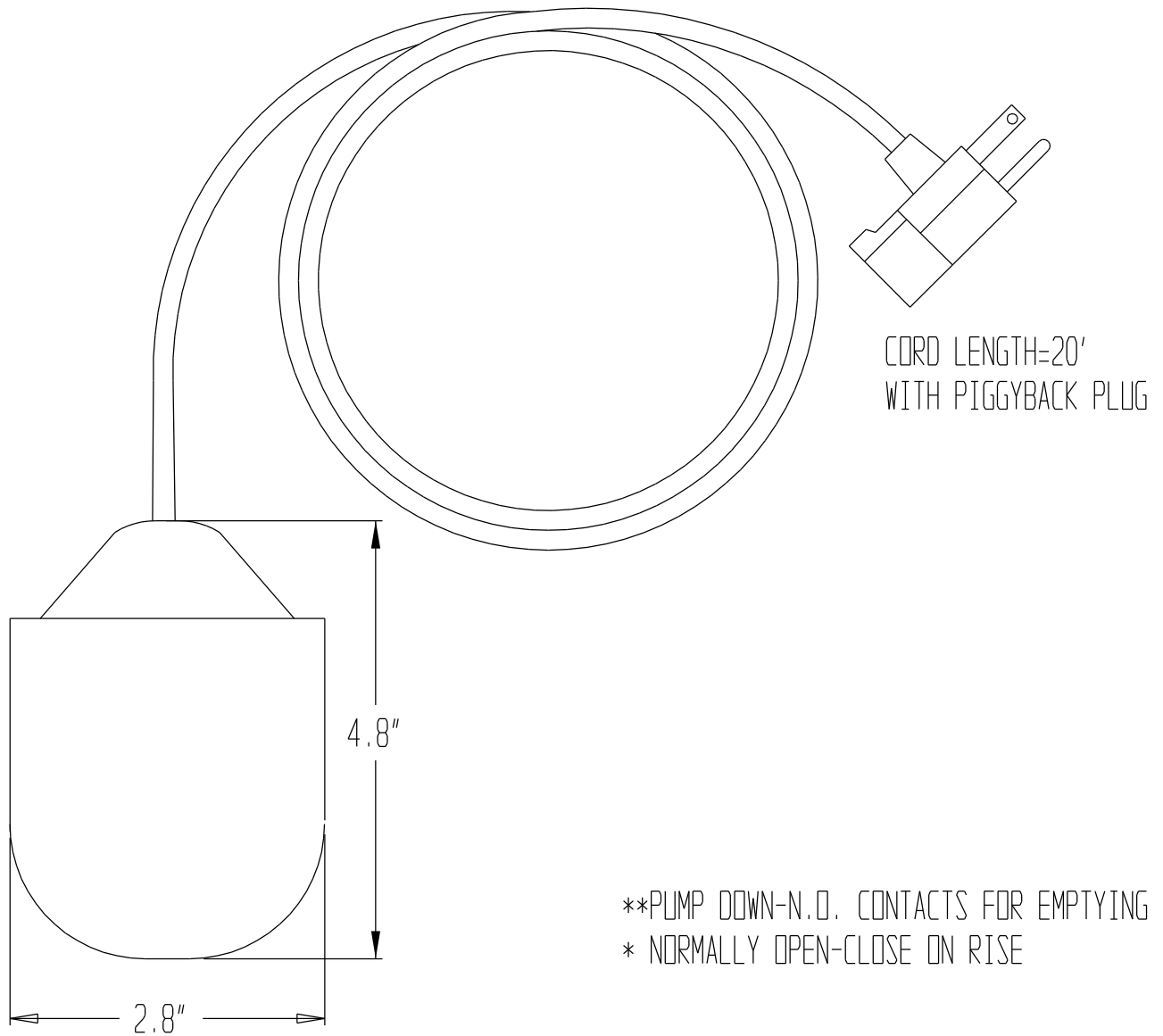
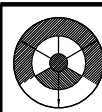


# MECHANICAL STANDARD DUTY FLOAT SWITCH



- \* HIGH IMPACT POLYCARBONATE ABS-LEAK & SHOCK PROOF
- \* MECHANICALLY ACTIVATED MICRO SWITCH
- \* WIDE ANGLE 90° FLOAT NOT SENSITIVE TO ROTATION OR TURBULANCE
- \* ADJUSTABLE PUMPING RANGE FROM 6 TO 36 INCHES
- \* FOR USE IN WATER AND SEWAGE
- \* NORMALLY OPEN CONTACTS FOR PUMP DOWN APPLICATIONS
- \* 14 AWG, 2 CONDUCTOR, SJOW WATER RESISTANT (CPE) MATERIAL
- \* MAX PUMP RUN 15 AMPS; 1 HP @ 120 VAC AND 2HP @ 240 VAC
- \* MAX PUMP START 96 AMPS
- \* OPTIONAL CORD LENGTH OF 10', 15', 20', 30', 40', 50'
- \* 190°F MAX ±10%
- \* INCLUDES SST PIPE MOUNT ASSEMBLY
- \* CSA RECOGNIZED
- \* 3 YEAR LIMITED WARRANTY



**INNOVATIVE COMPONENTS**

384 OLD TURNPIKE ROAD, P.O. BOX 294  
SOUTHINGTON, CT. 06489

TITLE: **MECHANICAL SUMP PUMP SWITCH**

MODEL: **SPS-401P-20**

DRAWN BY: F.J.K

DATE: 12/08/03

STOCK: **X**

SHEET: 1 OF 1

SCALE: NONE

FILENAME: C:\CK7\PR\SPS-2000\1MASTER

REV: