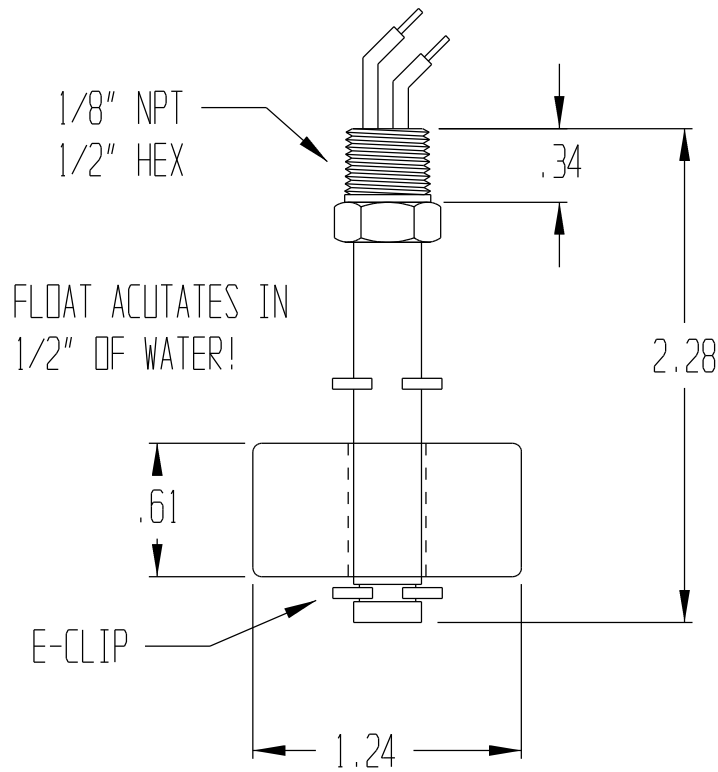


SERIES LS-12-270



MATERIAL :

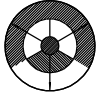
RETAINER: BERYLLIUM COPPER
 STEM: BRASS
 FLOAT: BUNA
 MIN SP.GR: 0.30
 OPERATING TEMP: 180°F (-40°F to 230°F oil)
 MAX PRESSURE: 150 PSI

REED SWITCH
 10 VA SPST
 3 VA SPDT

PART#
 LS-12-271/2
 LS-12-275

LEAD WIRES: 20 AWG PVC 24"
 SWITCH OPERATION: N.O. OR N.C. REVERSABLE

U.L. RECOGNIZED FILE# E177423

| | | |
|---|---|------|
|  | INNOVATIVE COMPONENTS 635 OLD TURNPIKE ROAD PLANTSVILLE, CT. 06479 | |
| | TITLE: BRASS & BUNA LOW LEVEL FLOAT | |
| MODEL: LS 12-270 | DRAWN BY: F.J.K. DATE: 05/17/99 | |
| STOCK: X | SHEET: 1 OF 1 SCALE: NONE | |
| FILENAME: C:\CK7\PR\LS-11040\1MASTER | | REV: |