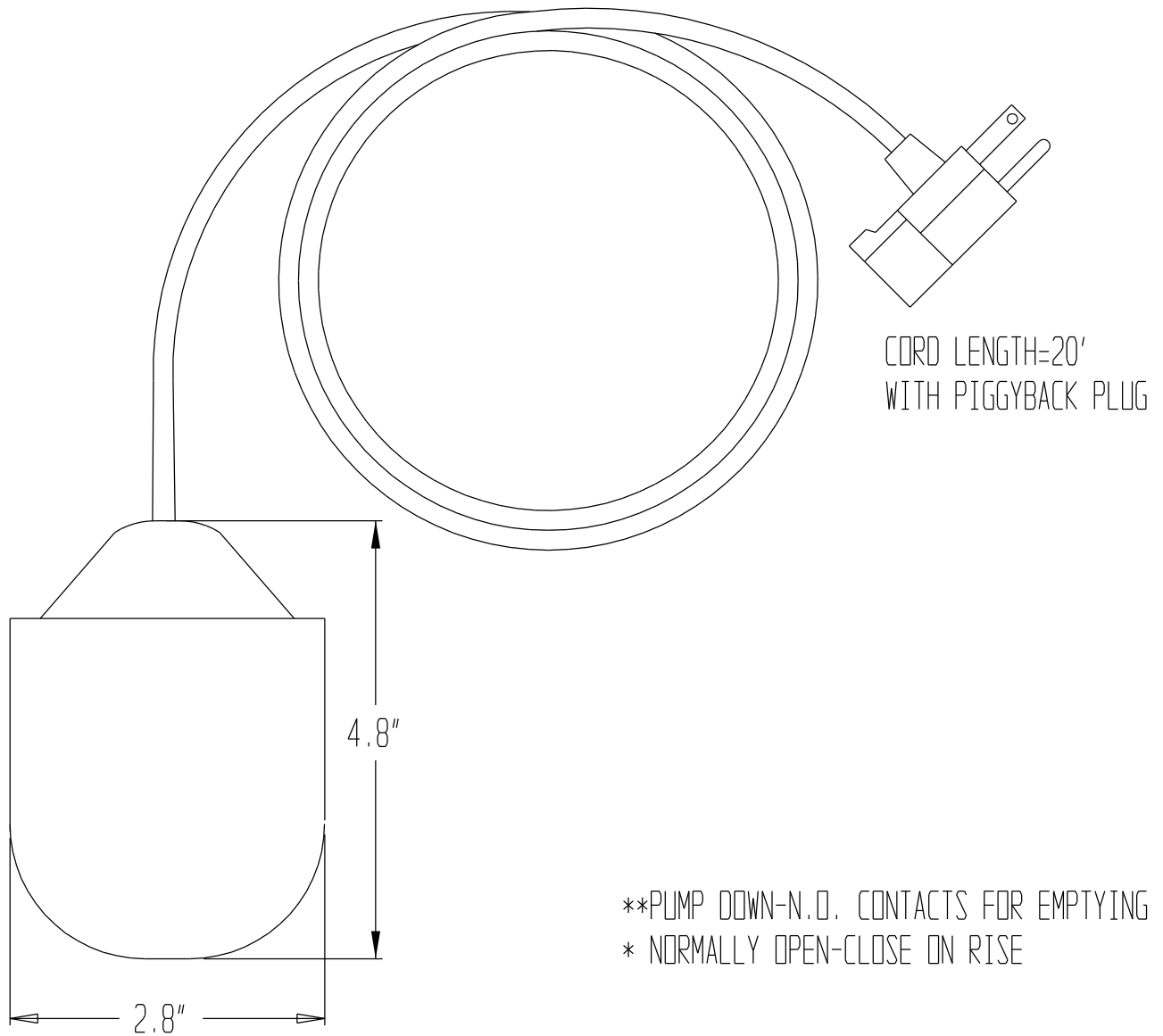
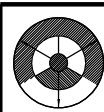


MECHANICAL STANDARD DUTY FLOAT SWITCH



- * HIGH IMPACT POLYCARBONATE ABS-LEAK & SHOCK PROOF
- * MECHANICALLY ACTIVATED MICRO SWITCH
- * WIDE ANGLE 90° FLOAT NOT SENSITIVE TO ROTATION OR TURBULANCE
- * FOR USE IN WATER AND SEWAGE
- * NORMALLY OPEN CONTACTS FOR PUMP DOWN APPLICATIONS
- * 14 AWG, 2 CONDUCTOR, SJOW WATER RESISTANT (CPE) MATERIAL
- * MAX PUMP RUN 15 AMPS; 1 HP @ 120 VAC AND 2HP @ 240 VAC
- * MAX PUMP START 96 AMPS
- * OPTIONAL CORD LENGTH OF 10', 15', 20', 30', 40', 50'
- * 190°F MAX ±10%
- * INCLUDES SST PIPE MOUNT ASSEMBLY
- * CSA RECOGNIZED
- * 3 YEAR LIMITED WARRANTY



INNOVATIVE COMPONENTS

384 OLD TURNPIKE ROAD, P.O. BOX 294
SOUTHINGTON, CT. 06489

TITLE: **MECHANICAL SUMP PUMP SWITCH**

MODEL: **SPS-401P-20**

DRAWN BY: F.J.K.
DATE: 12/08/03

STOCK: **X**

SHEET: 1 OF 1
SCALE: NONE

FILENAME: C:\CK7\PR\SPS-2000\1MASTER

REV: