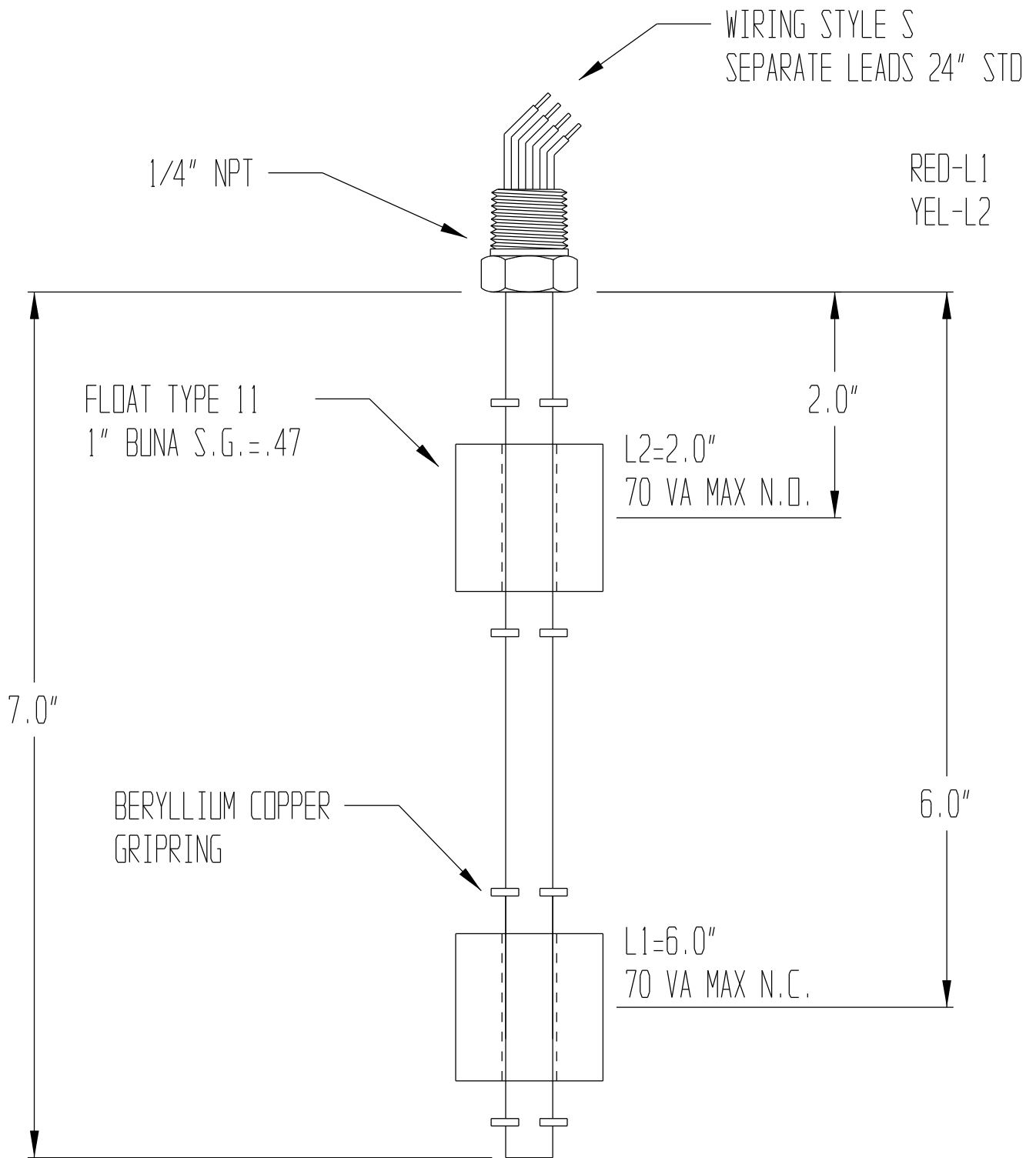


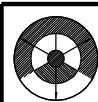
SERIES 1000 STAINLESS/BUNA



PLEASE NOTE:

THIS DRAWING AND SPECIFICATION IS THE PROPERTY OF INNOVATIVE COMPONENTS, LLC. AND IS TO BE USED SOLELY AS A TECHNICAL REFERENCE BY INNOVATIVE COMPONENTS' CUSTOMERS. ANY REPRODUCTION OR DISTRIBUTION TO THE CONTRARY IS PROHIBITED.

SIGNATURE OF APPROVAL	DATE
PRINT: _____	_____
SIGN: _____	_____



INNOVATIVE COMPONENTS

635 OLD TURNPIKE ROAD
PLANTSVILLE, CT. 06479

TITLE: ACUMEN TECHNOLOGIES	
MODEL: 11-E-1112	DRAWN BY: F.J.K
STOCK: 92563	DATE: 01/11/01
FILENAME: C:\CK7\PRN\CLUST	SHEET: 1 OF 1
	SCALE: NONE
	REV: _____

STANDARD TOLERANCES
.000 = ± .010
.00 = ± .050
.0 = ± .100
0 = ± .200
ANGLES ± 5°
TEMP ± 5°C