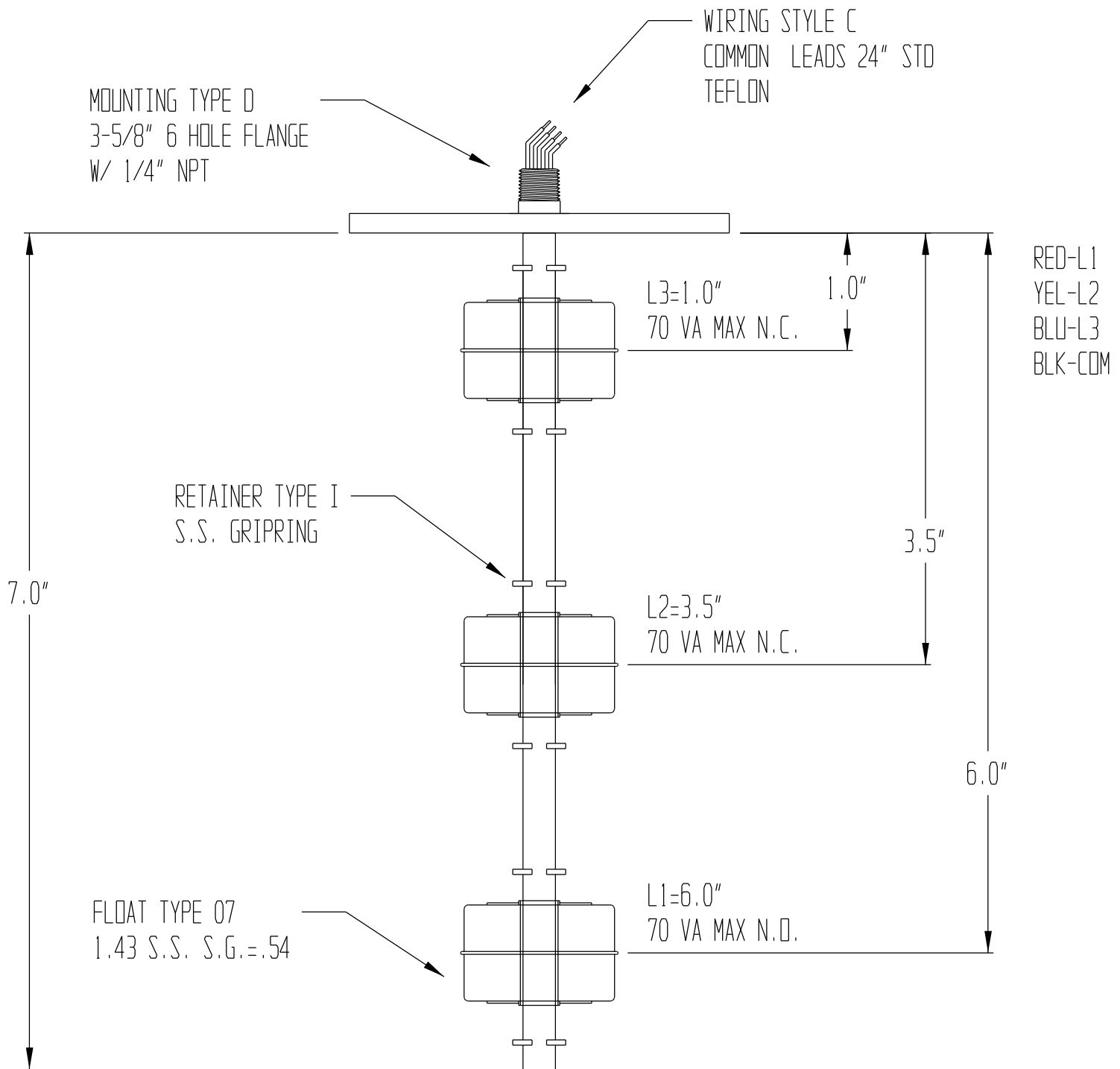


SERIES 1000 STAINLESS

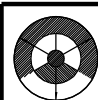


PLEASE NOTE:

THIS DRAWING AND SPECIFICATION IS THE PROPERTY OF INNOVATIVE COMPONENTS, INC. AND IS TO BE USED SOLELY AS A TECHNICAL REFERENCE BY INNOVATIVE COMPONENTS' CUSTOMERS. ANY REPRODUCTION OR DISTRIBUTION TO THE CONTRARY IS PROHIBITED.

<u>SIGNATURE OF APPROVAL</u>	<u>DATE</u>
PRINT: _____	
SIGN: _____	

STANDARD
TOLERANCES
.000 = ± .010
.00 = ± .050
.0 = ± .100
0 = ± .200
ANGLES ± 5°
TEMP ± 5°C



INNOVATIVE COMPONENTS

635 OLD TURNPIKE ROAD
PLANTSVILLE, CT. 06479

TITLE: DOVER AUTOMATION	
MODEL: 11-D-0713	DRAWN BY: P. J. M.
STOCK: 92651	DATE: 10/05/00
FILENAME: C:\CK7\PRN\CLUST	SHEET: 1 OF 1
	SCALE: NONE
	REV: