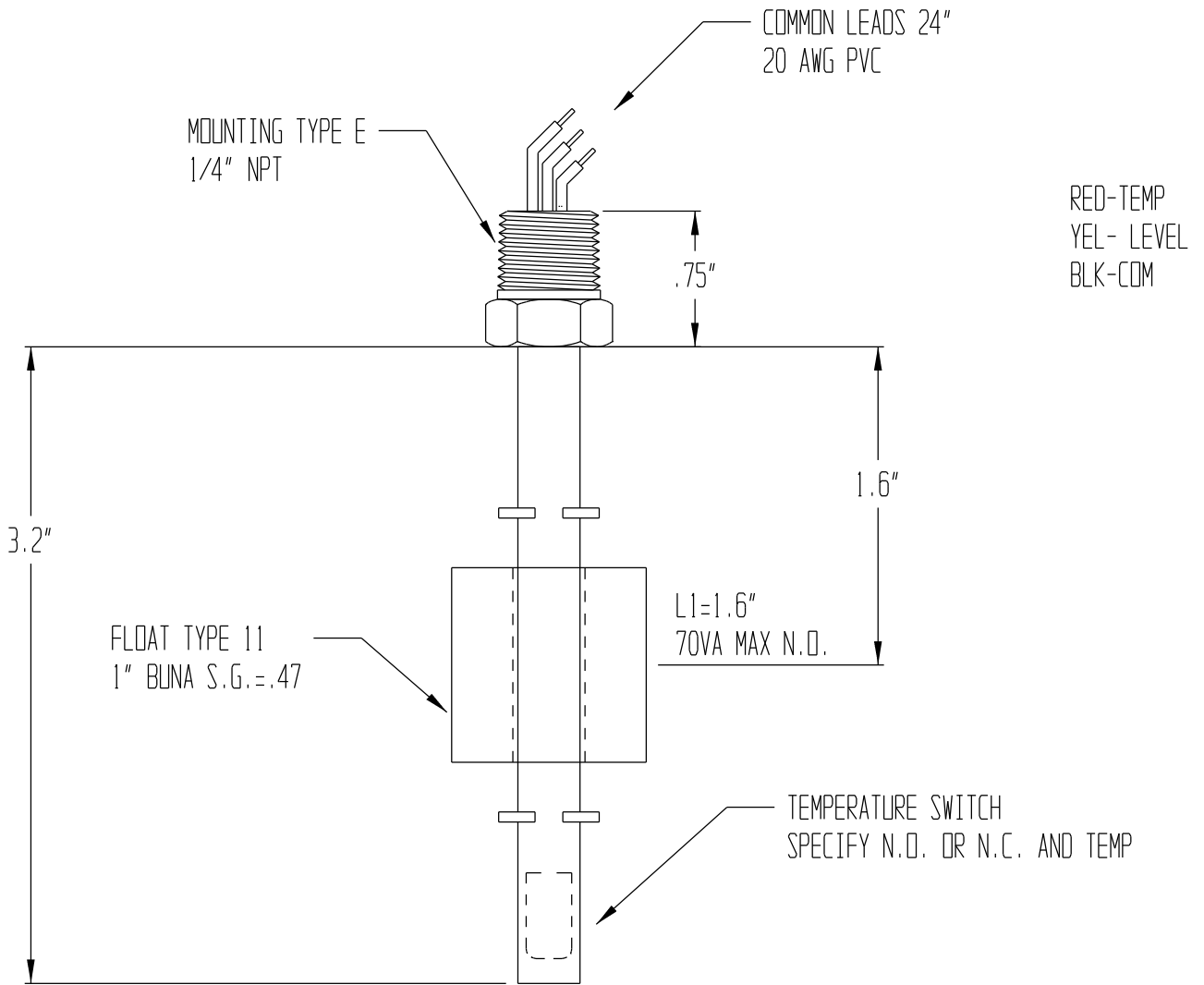


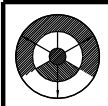
SERIES 1000 BRASS & BUNA



PLEASE NOTE:

THIS DRAWING AND SPECIFICATION IS THE PROPERTY OF INNOVATIVE COMPONENTS AND IS TO BE USED SOLEY AS A TECHNICAL REFERENCE BY INNOVATIVE COMPONENTS' CUSTOMERS. ANY REPRODUCTION OR DISTRIBUTION TO THE CONTRARY IS PROHIBITED.

SIGNATURE OF APPROVAL _____ DATE _____
 PRINT: _____
 SIGN: _____



INNOVATIVE COMPONENTS
 635 OLD TURNPIKE ROAD
 PLANTSVILLE, CT. 06479

TITLE: BRASS & BUNA TEMP/LEVEL FLOAT	
MODEL: T-52	DRAWN BY: F.J.K
STOCK: T-52111-XX	DATE: 04/04/07
FILENAME: C:\CK7\PRN\CLUST	SHEET: 1 OF 1
	SCALE: 5/16"=1"
	REV: _____

STANDARD TOLERANCES
.000 = ± .010
.00 = ± .050
.0 = ± .100
0 = ± .200
ANGLES ± 5°
TEMP ±5°C