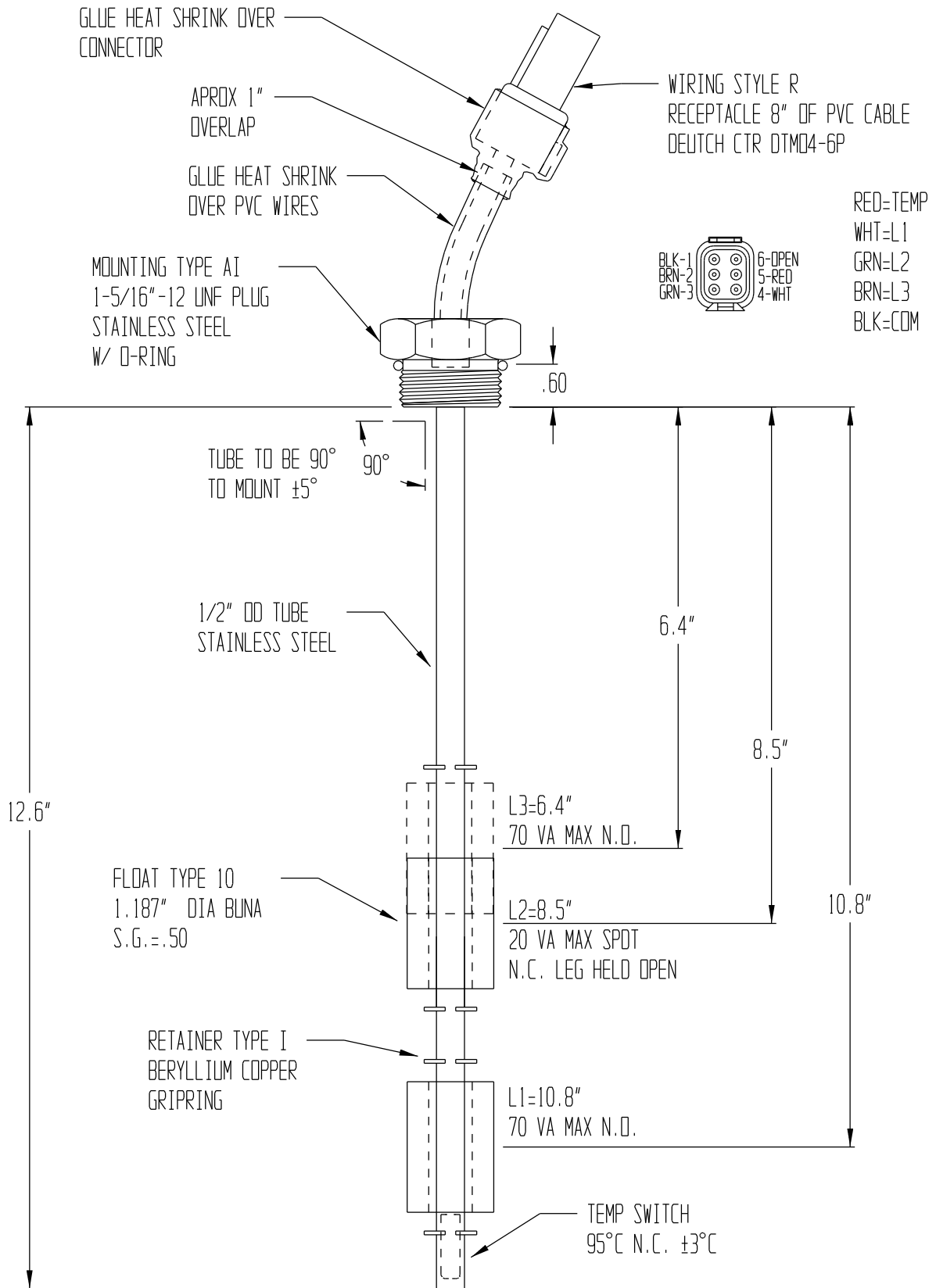


**SERIES 2000 STAINLESS & BUNA MULTI-LEVEL**



CASE# BN323888

**PLEASE NOTE:**

THIS DRAWING AND SPECIFICATION IS THE PROPERTY OF INNOVATIVE COMPONENTS, LLC. AND IS TO BE USED SOLELY AS A TECHNICAL REFERENCE BY INNOVATIVE COMPONENTS' CUSTOMERS. ANY REPRODUCTION OR DISTRIBUTION TO THE CONTRARY IS PROHIBITED.

SIGNATURE OF APPROVAL \_\_\_\_\_ DATE \_\_\_\_\_  
 PRINT: \_\_\_\_\_  
 SIGN: \_\_\_\_\_

	<b>INNOVATIVE COMPONENTS</b>	
	635 OLD TURNPIKE ROAD PLANTSVILLE, CT. 06479	

STANDARD TOLERANCES .000 = ± .010 .00 = ± .050 .0 = ± .100 0 = ± .200 ANGLES ± 5° TEMP ± 5°C	TITLE: <b>STAINLESS &amp; BUNA TEMP/LEVEL</b>	DRAWN BY: F. J. K DATE: 11/29/00 SHEET: 1 OF 1 SCALE: NONE
MODEL: <b>21-AI-1013-T</b>	STOCK: <b>92511</b>	FILENAME: C:\CK7\PRN\CLUST
		REV: _____