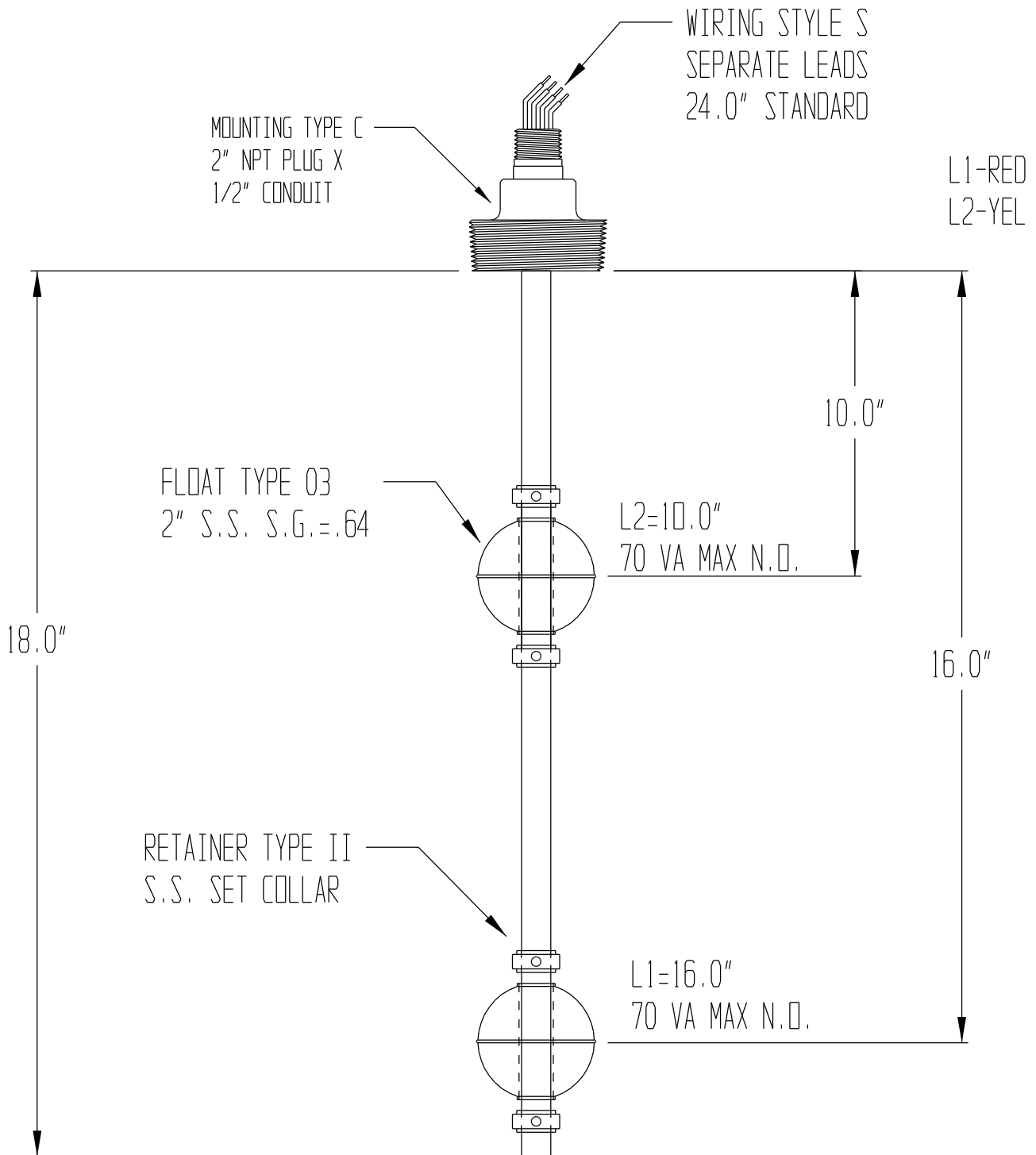


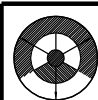
STAINLESS STEEL MULTI-LEVEL



PLEASE NOTE:

THIS DRAWING AND SPECIFICATION IS THE PROPERTY OF INNOVATIVE COMPONENTS, LLC. AND IS TO BE USED SOLELY AS A TECHNICAL REFERENCE BY INNOVATIVE COMPONENTS' CUSTOMERS. ANY REPRODUCTION OR DISTRIBUTION TO THE CONTRARY IS PROHIBITED.

SIGNATURE OF APPROVAL _____ DATE _____
 PRINT: _____
 SIGN: _____



INNOVATIVE COMPONENTS

635 OLD TURNPIKE ROAD
 PLANTSVILLE, CT. 06479

STANDARD TOLERANCES .000 = ± .010 .00 = ± .050 .0 = ± .100 0 = ± .200 ANGLES ± 5° TEMP ±5°C	TITLE: STAINLESS STEEL MULTILEVEL	DRAWN BY: F. J. K
MODEL: 21-C-0322	DATE: 04/12/01	SHEET: 1 OF 1
STOCK: 92622	SCALE: NONE	REV:
FILENAME: C:\CK7\PR\21C-0322		