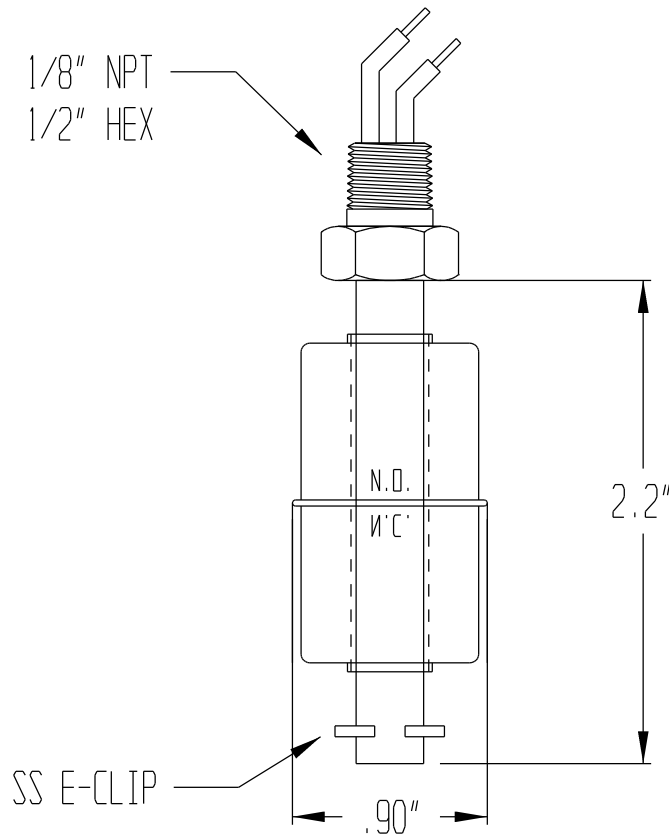


SERIES LS-11-050



MATERIAL :

RETAINER: 316 STAINLESS STEEL
 STEM: 316 STAINLESS STEEL
 FLOAT: 316 STAINLESS STEEL

MIN SP.GR: 0.70

OPERATING TEMP: -40°F to 300°F

MAX PRESSURE: 150 PSI

LEAD WIRES: 20 AWG PVC 24"

SWITCH OPERATION: N.O. OR N.C. REVERSABLE

REED SWITCH

70 VA SPST

100 VA SPST

3 VA SPDT

PART#

LS-11-051/2

LS-11-053/4

LS-11-055

U.L. RECOGNIZED FILE# E177423

	INNOVATIVE COMPONENTS 635 OLD TURNPIKE ROAD PLANTSVILLE, CT. 06479	
	TITLE: STAINLESS STEEL SINGLE LEVEL	
MODEL: LS 11-050	DRAWN BY: F.J.K. DATE: 05/17/99	
STOCK: X	SHEET: 1 OF 1 SCALE: NONE	
FILENAME: C:\CK7\PR\LS-11050\1MASTER		REV: