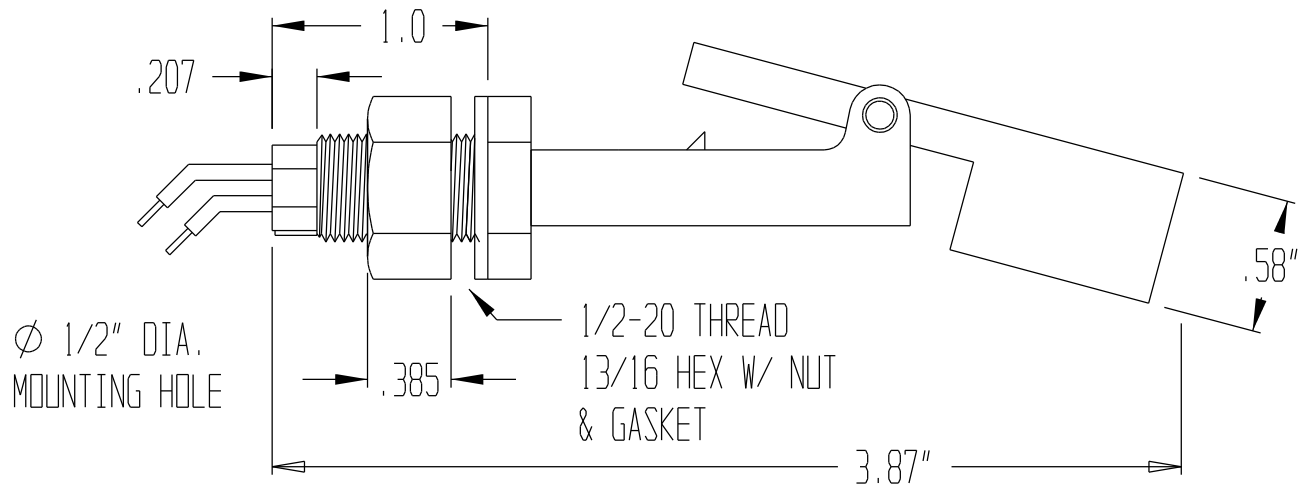


POLYPRO



MATERIAL:

STEM: POLYPRO

FLOAT: POLYPRO

MIN SP.GR: 0.75

OPERATING TEMP: -40°F to 210°F

MAX PRESSURE: 150 PSI

LEAD WIRES: 20 AWG PVC 12"

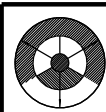
SWITCH OPERATION: N.O. OR N.C. REVERSABLE

REED SWITCH

50 VA SPST

PART#

SM-1100-PP



INNOVATIVE COMPONENTS

384 OLD TURNPIKE ROAD, P.O. BOX 294
SOUTHINGTON, CT. 06489

TITLE: SIDE MOUNT SWITCH

MODEL: SM-1100-PP

DRAWN BY: F.J.K
DATE: 09/02/03

STOCK: X

SHEET: 1 OF 1
SCALE: NONE

FILENAME: C:\CK7\PRT\SIDE MOUNT

REV: