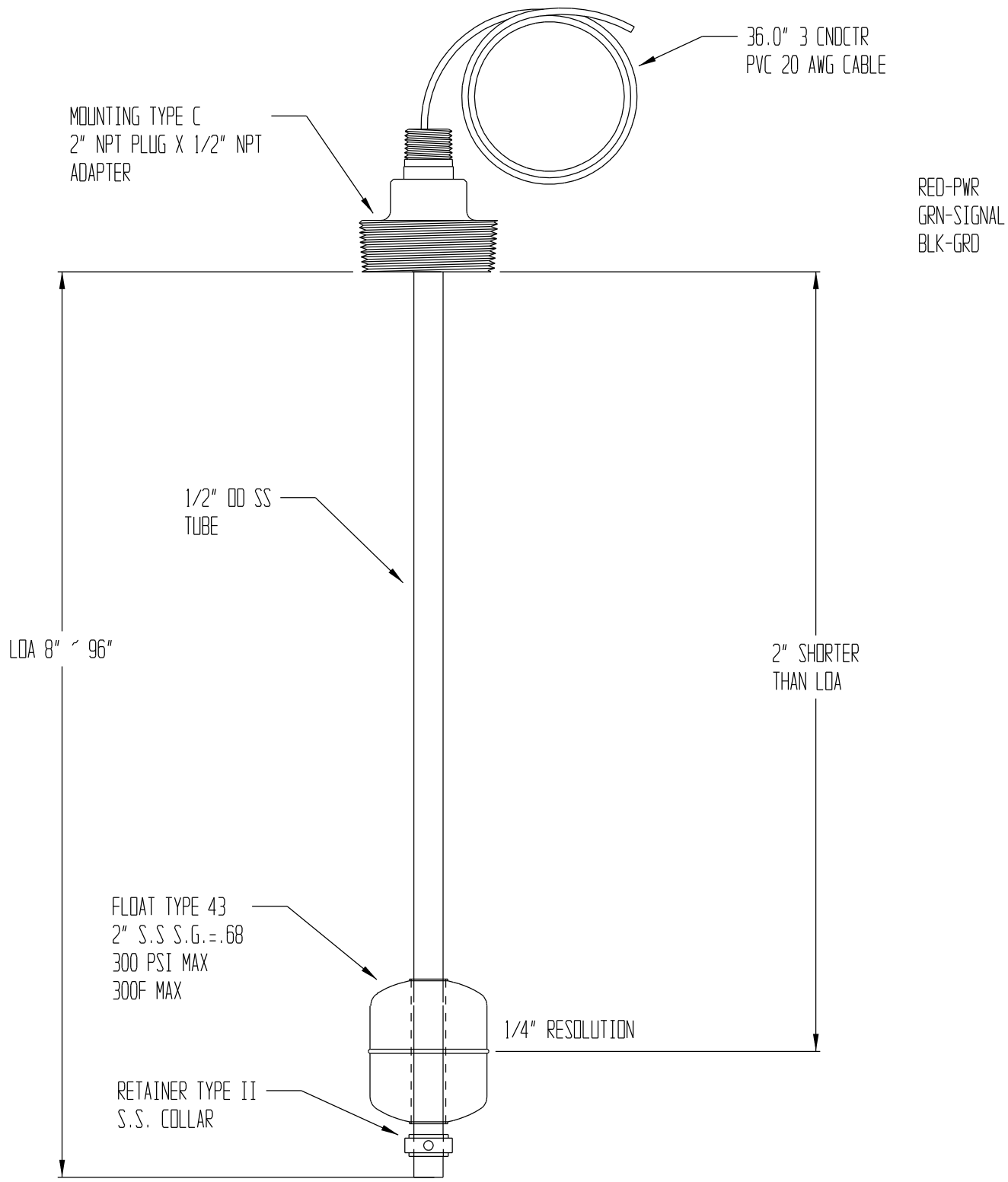
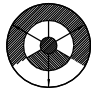


-SENSOR IS A THREE WIRE POTENTIOMETER
 -SIGNAL CONDITIONER OR DIGITAL PANEL METER
 REQUIRED FOR 4-20MA SIGNAL



PLEASE NOTE:
 THIS DRAWING AND SPECIFICATION IS THE PROPERTY
 OF INNOVATIVE COMPONENTS AND IS TO BE USED
 SOLELY AS A TECHNICAL REFERENCE BY INNOVATIVE
 COMPONENTS' CUSTOMERS. ANY REPRODUCTION OR
 DISTRIBUTION TO THE CONTRARY IS PROHIBITED.

SIGNATURE OF APPROVAL _____ DATE _____
 PRINT: _____
 SIGN: _____

	INNOVATIVE COMPONENTS 635 OLD TURNPIKE ROAD PLANTSVILLE, CT. 0647	
	TITLE: STAINLESS STEEL CONTINUOUS MONITOR	
STANDARD TOLERANCES .000 = ± .010 .00 = ± .050 .0 = ± .100 0 = ± .200 ANGLES ± 5° TEMP 45°C	MODEL: CLM-2000-SS	DRAWN BY: F. J. K DATE: 07/13/05
	STOCK: X	SHEET: 1 OF 1 SCALE: NONE
	FILENAME: C:\CK7\PRN\CLM	
	REV:	