

ALARM LIGHT
RED LEXAN SHIELD
360° VIEWABLE

HINGED POLYCARBONATE
ENCLOSURE; NEMA4/4X

12VDC 3000mAh
LION RECHARGEABLE
BATTERY

AUDIBLE PIZO
BUZZER
85 db @ 10'

SILENCE
TOGGLE
SWITCH



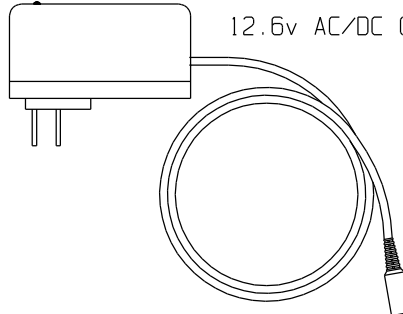
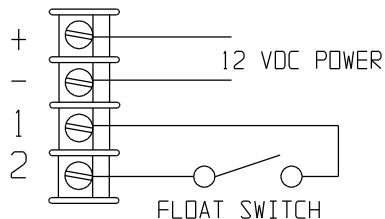
6.5"

BOX IS 5.5" DEEP
MOUNTING FEET INCLUDED

6.5"

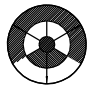
APROX 6HRS TO FULL CHARGE
LED WILL TRUN FROM RED TO
GREEN WHEN FULLY CHARGED

12.6v AC/DC CHARGER



PLEASE NOTE:

THIS DRAWING AND SPECIFICATION IS THE PROPERTY OF INNOVATIVE COMPONENTS AND IS TO BE USED SOLEY AS A TECHNICAL REFERENCE BY INNOVATIVE COMPONENTS' CUSTOMERS. ANY REPRODUCTION OR DISTRIBUTION TO THE CONTRARY IS PROHIBITED.

 INNOVATIVE COMPONENTS 635 OLD TURNPIKE ROAD PLANTSVILLE, CT. 06479	
TITLE: HIGH TANK LEVEL ALARM SYSTEM	
MODEL: TLA-512-BAT	DRAWN BY: F.J.K
STOCK: TLA-512-BAT	DATE: 06/18/13
FILENAME: C:\CK7\PR\RELAY\TLA-500	SHEET: 1 OF 1
REV:	SCALE: NONE