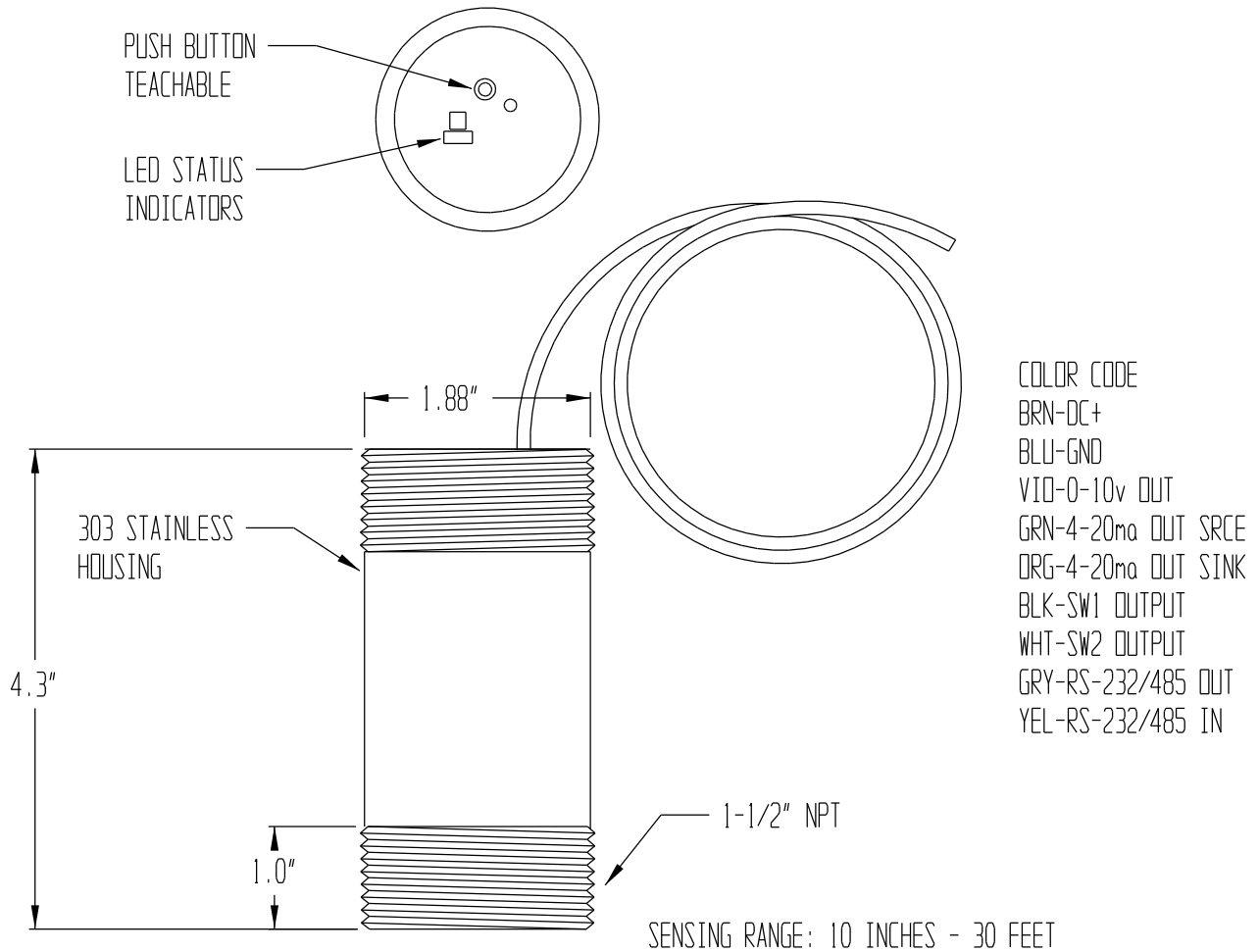


ULS SERIES ULTRASONIC



Repeatability - Nominal 0.1% of range at constant temperature
 Resolution - 0.0068 in. (.172 mm) max.
 Voltage Output - 0-10 and 0-5 VDC (user selectable), 10 ma. max., push-button teachable endpoints
 Current Loop - 4-20 ma. (sourcing), max. loop resistance 500 @ >15 VDC, teachable endpoints
 Switch Outputs - 150 ma. max, sinking 40 VDC max., teachable setpoint and polarity, fault indication
 Measure Rate - 50 mSec (nom), "teachable" to other rates
 SYNC feature - Permits up to 32 sensors to be wired together for operation in the same area
 Input Power - 10-30 VDC (15-30 if analog output), 68 ma. max.
 Transducer - Ruggedized piezoelectric
 Connection - 6-Wire pigtail cable, shielded, length 6 FT
 Environmental - Temp. -40 to 70C, humidity 0-100% operating
 Protection - NEMA-4X, NEMA-6P, IP68

PLEASE NOTE:

THIS DRAWING AND SPECIFICATION IS THE PROPERTY OF INNOVATIVE COMPONENTS AND IS TO BE USED SOLELY AS A TECHNICAL REFERENCE BY INNOVATIVE COMPONENTS' CUSTOMERS. ANY REPRODUCTION OR DISTRIBUTION TO THE CONTRARY IS PROHIBITED.

SIGNATURE OF APPROVAL	DATE
PRINT:	
SIGN:	

	INNOVATIVE COMPONENTS	
	635 OLD TURNPIKE ROAD PLANTSVILLE, CT. 06479	

STANDARD TOLERANCES .000 = ± .010 .00 = ± .050 .0 = ± .100 0 = ± .200 ANGLES ± 5° TEMP ± 5°C	TITLE: ULS SERIES 150 ULTRASONIC	
	MODEL: ULS-150-S	DRAWN BY: F. J. K
	STOCK: X	DATE: 05/09/05
	FILENAME: C:\CK7\PR\ULS-150	SHEET: 1 OF 1
		SCALE: NONE
	REV:	