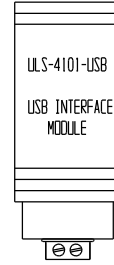
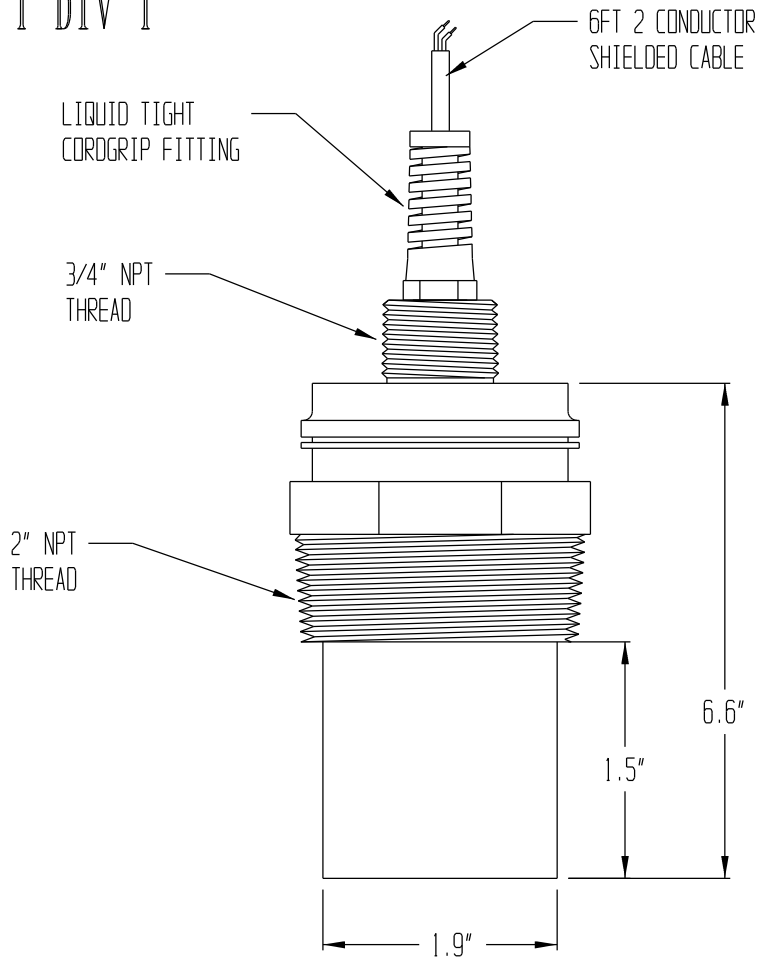


ULS SERIES ULTRASONIC EX PROOF CLASS 1 DIV 1



USB PROGRAMMING
MODULE
SOLD SEPARATELY

Performance

Operating Range

1 - 25 ft. (0.3 - 7.6 m) on liquids
1 - 10 ft. (0.3 - 3 m) on solids

Beam Pattern: 9µ off axis

Internal Temperature Compensation

Frequency: 69 kHz

Accuracy: ±0.25% of detected range

Resolution: 0.1 in. (2.5 mm)

Response Time: Dependent on output, ranges from 0.6 - 3 seconds

Connectivity

Output: 4-20 mA (loop powered)

Loop Resistance: 600 ohms @ 24 VDC 150 ohms @ 12 VDC

Network/Web with the RST-5000 series module or LDE

Environmental

Ratings: IP65

Operating Temp: -40µ - 140µF (-40µ - 60µC)

Certification

Class 1, Div. 1, Groups C & D

Class 1, Zone 0, AEx ia IIB, T3; IP65

Electrical

Total Current Draw: 4-20 mA

Supply Voltage: 12-28 VDC

Wiring Connection: 2-conductor shielded cable

Programming

Interface with RST-4101 USB Module
(purchase separately)

-The RST-4101 is powered by a USB port connecting the module to a computer. A 2-conductor terminal strip allows the module to be connected in parallel with the 4-20 mA loop.

Volume Measurement Settings:

Formulas for a wide variety of common tank types

Flow Measurement Settings:

Formulas for a wide variety of weirs and flumes total flow counter

32-point linearization table for unique tanks, weirs, and flumes

User selected units of measure

Physical

PVDF (Kynar®) transducer housing

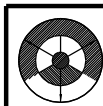
PC/PBT upper housing

Transducer Type: Ceramic, PVDF faced

PLEASE NOTE:

THIS DRAWING AND SPECIFICATION IS THE PROPERTY OF INNOVATIVE COMPONENTS AND IS TO BE USED SOLELY AS A TECHNICAL REFERENCE BY INNOVATIVE COMPONENTS' CUSTOMERS. ANY REPRODUCTION OR DISTRIBUTION TO THE CONTRARY IS PROHIBITED.

SIGNATURE OF APPROVAL _____ DATE _____
PRINT: _____
SIGN: _____



INNOVATIVE COMPONENTS

635 OLD TURNPIKE ROAD
PLANTSVILLE, CT. 06479

STANDARD TOLERANCES .000 = ± .010 .00 = ± .050 .0 = ± .100 0 = ± .200 ANGLES ± 5° TEMP ± 5°C	TITLE: ULS SERIES 150 ULTRASONIC	
	MODEL: ULS-2428-EX	DRAWN BY: F. J. K DATE: 09/25/20
	STOCK: ULS-2428-EX	SHEET: 1 OF 1 SCALE: NONE
	FILENAME: C:\CK7\PR\ULS-150	

REV: