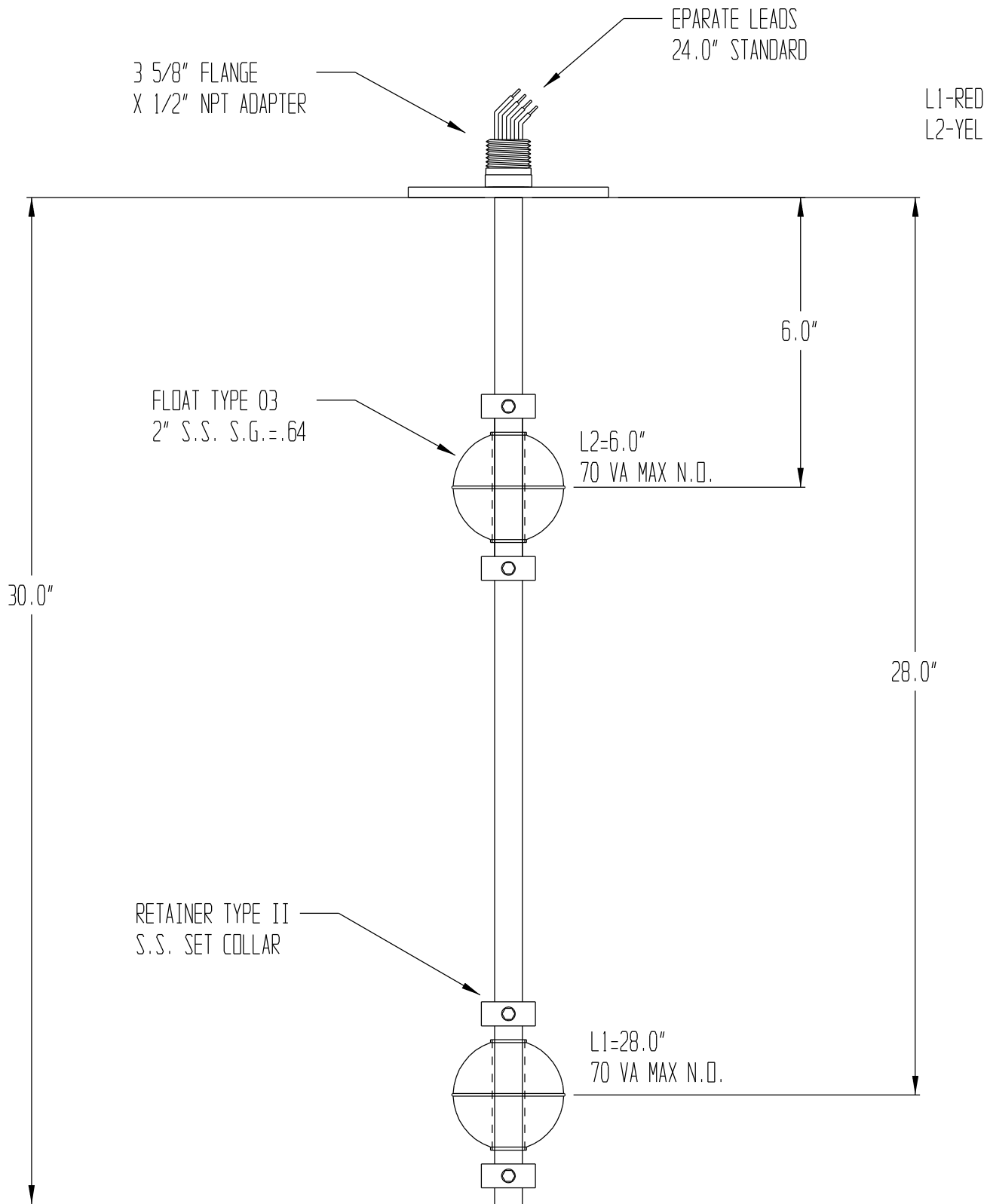


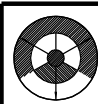
# STAINLESS STEEL MULTI-LEVEL



**PLEASE NOTE:**

THIS DRAWING AND SPECIFICATION IS THE PROPERTY OF INNOVATIVE COMPONENTS AND IS TO BE USED SOLEY AS A TECHNICAL REFERENCE BY INNOVATIVE COMPONENTS' CUSTOMERS. ANY REPRODUCTION OR DISTRIBUTION TO THE CONTRARY IS PROHIBITED.

SIGNATURE OF APPROVAL	DATE
PRINT: _____	_____
SIGN: _____	_____



**INNOVATIVE COMPONENTS**

635 OLD TURNPIKE ROAD  
PLANTSVILLE, CT. 06479

<b>STANDARD TOLERANCES</b> .000 = ± .010 .00 = ± .050 .0 = ± .100 0 = ± .200 ANGLES ± 5° TEMP ±5°C	TITLE: <b>STAINLESS STEEL MULTI-LEVEL</b>	
	MODEL: <b>21-YY-0322</b>	DRAWN BY: F. J. K DATE: 02/23/04
	STOCK: <b>99278</b>	SHEET: 1 OF 1 SCALE: NONE
	FILENAME: C:\CK7\prt\21YY-0322	
		REV: