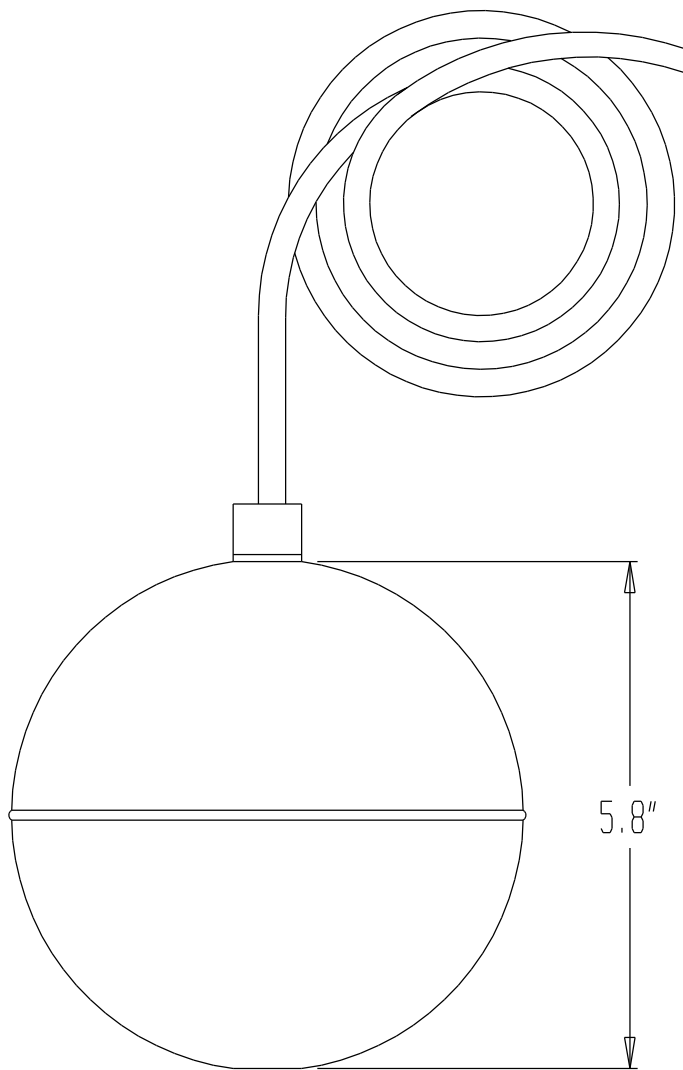


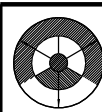
MECHANICAL STANDARD DUTY FLOAT SWITCH



CORD LENGTH=20'

- * 316 STAINLESS STEEL TEFLON COATED SHELL
- * MERCURY ACTIVATED
- * NARROW ANGLE 10° FLOAT NOT SENSITIVE TO ROTATION OR TURBULANCE
- * NORMALLY OPEN CONTACTS FOR PUMP DOWN APPLICATIONS
- * 14 AWG, 3 CONDUCTOR, SOOW WATER RESISTANT (CPE) MATERIAL
- * RATED 10AMP @ 120VAC / 3AMP @ 240VAC
- * 10', 15', 20', 30', 40', 50' CORD LENGTH OPTION
- * 221°F MAX

- **PUMP DOWN-N.O. CONTACTS FOR EMPTYING
- * NORMALLY OPEN-CLOSE ON RISE



INNOVATIVE COMPONENTS

635 OLD TURNPIKE ROAD
PLANTSVILLE, CT. 06479

TITLE: **MECHANICAL SUMP PUMP SWITCH**

MODEL: **SPS-3160-20**

DRAWN BY: F. J. K
DATE: 12/08/03

STOCK: **SPS-3160-20**

SHEET: 1 OF 1
SCALE: NONE

FILENAME: C:\CK7\PR\SPS-2000\1MASTER

REV: